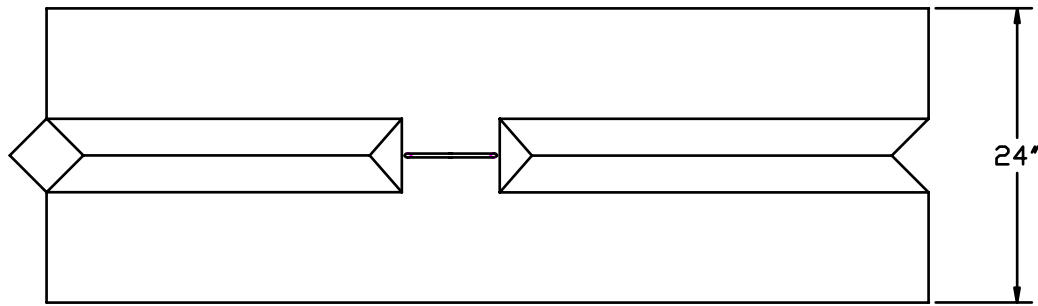


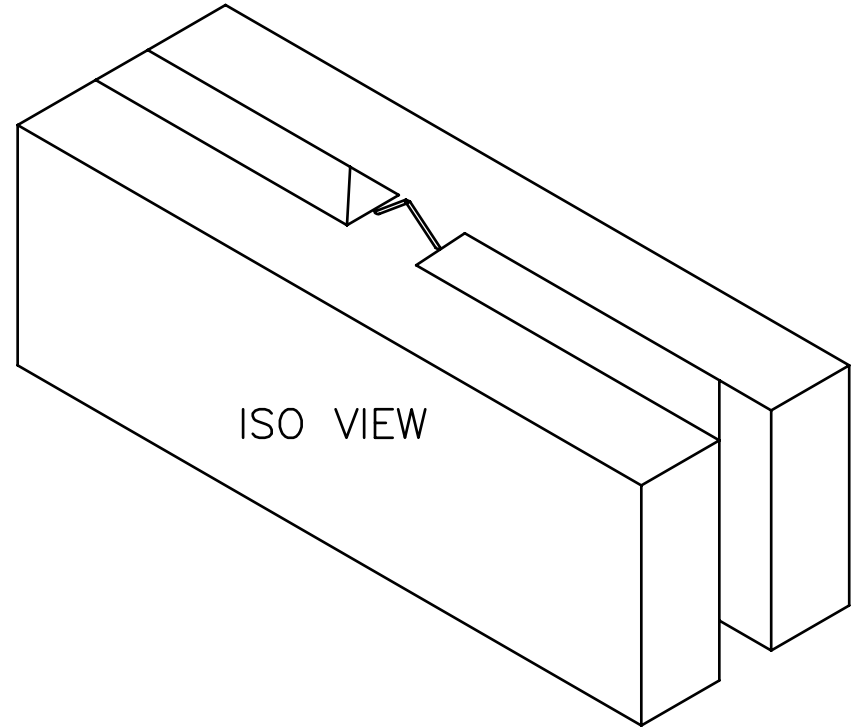


V-INTERLOCK
SPECIFICATION
SHEETS

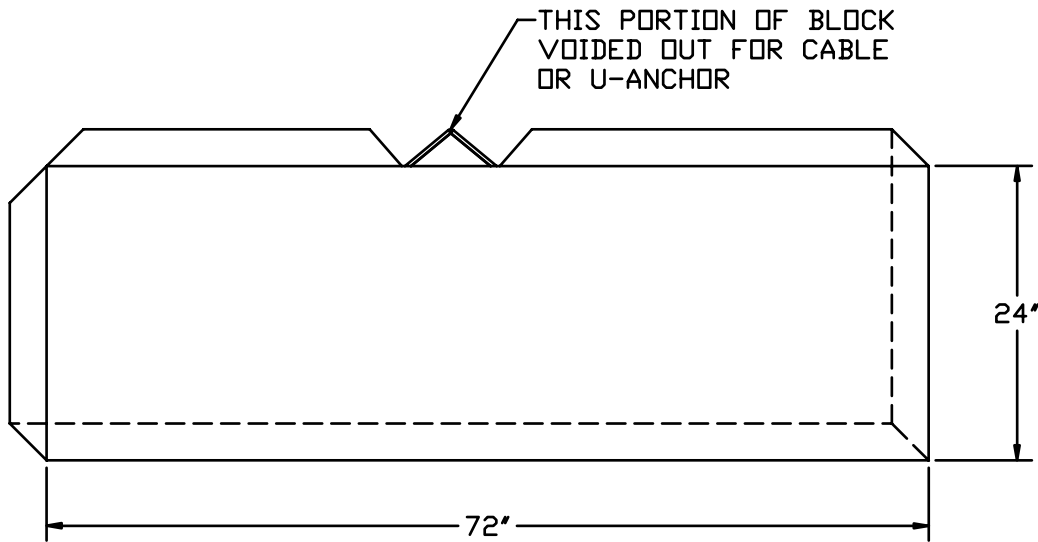
■ V-INTERLOCK 2' X 2' X 6' STRAIGHT



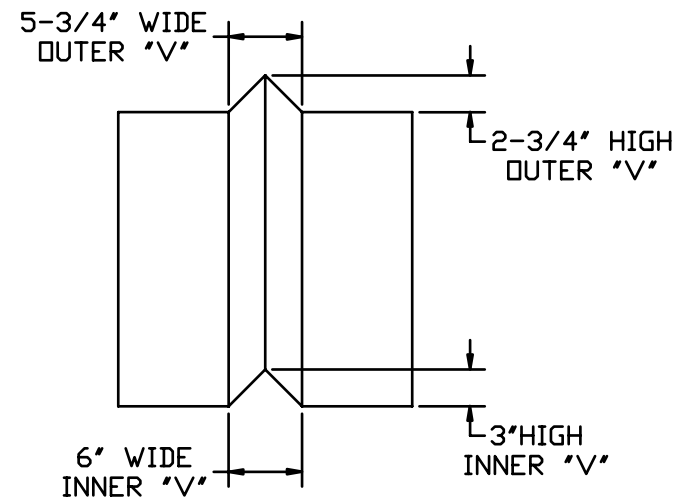
TOP VIEW



ISO VIEW



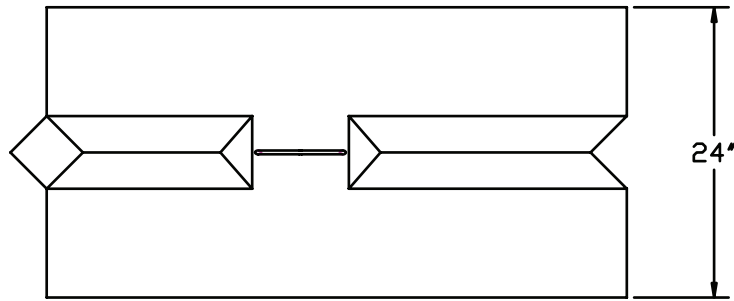
FRONT VIEW



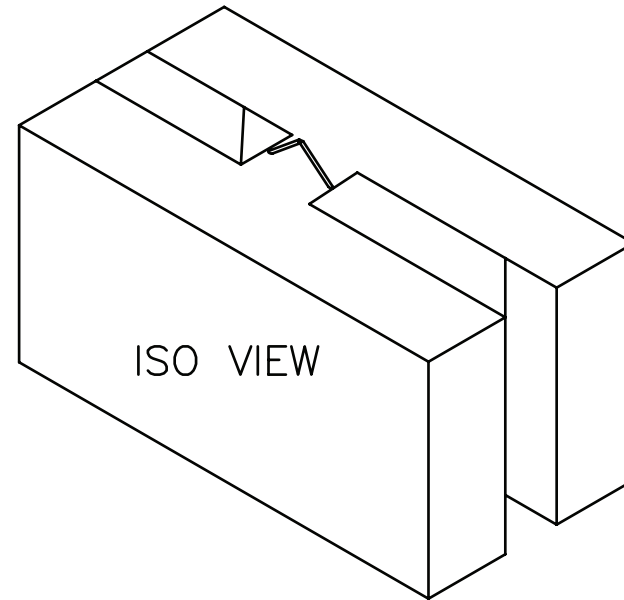
END VIEW

WEIGHT: 3,600 Lbs.
VOLUME: 24.00 Cft

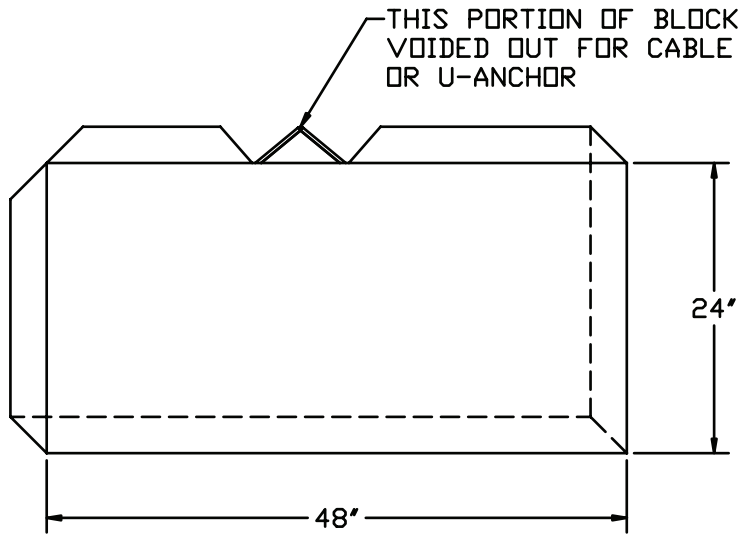
V-INTERLOCK 2' X 2' X 4' STRAIGHT



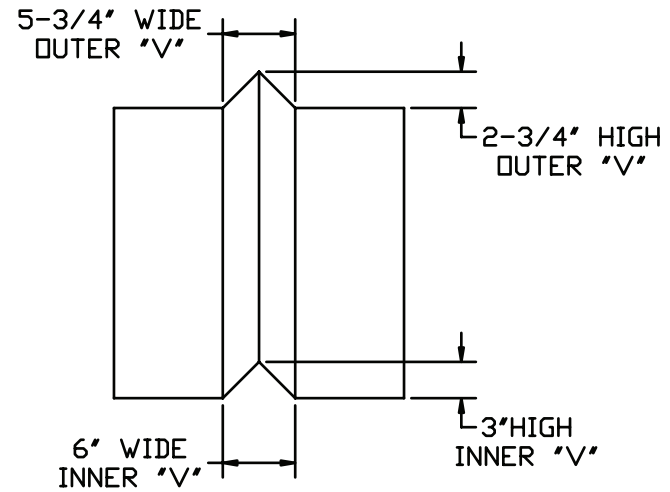
TOP VIEW



ISO VIEW



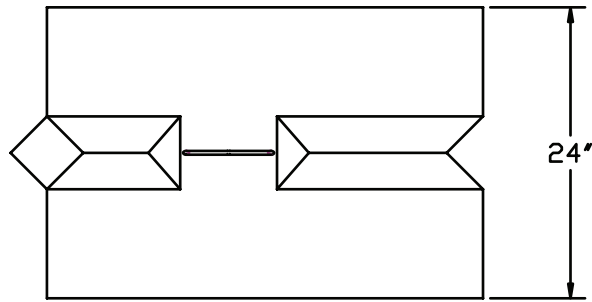
FRONT VIEW



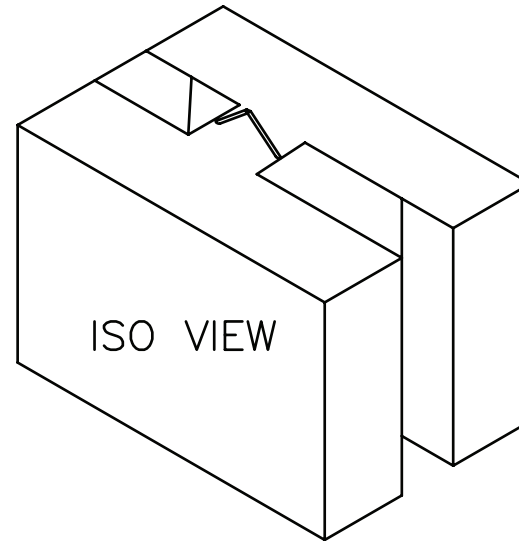
END VIEW

WEIGHT: 2,400 Lbs.
VOLUME: 16.00 Cft

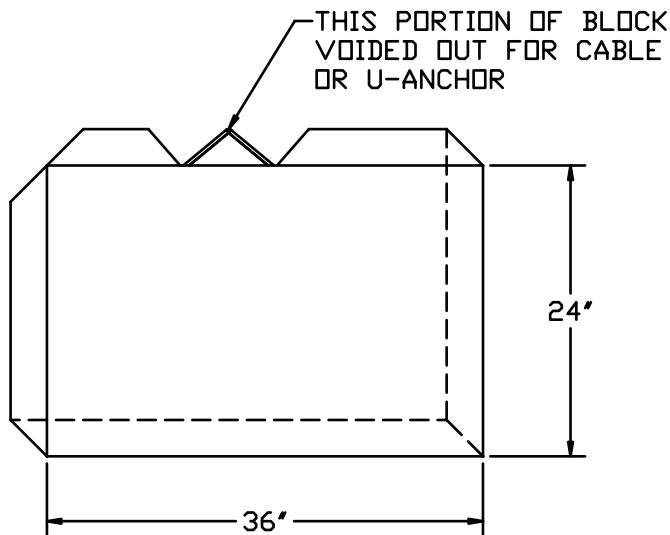
V-INTERLOCK 2' X 2' X 3' STRAIGHT



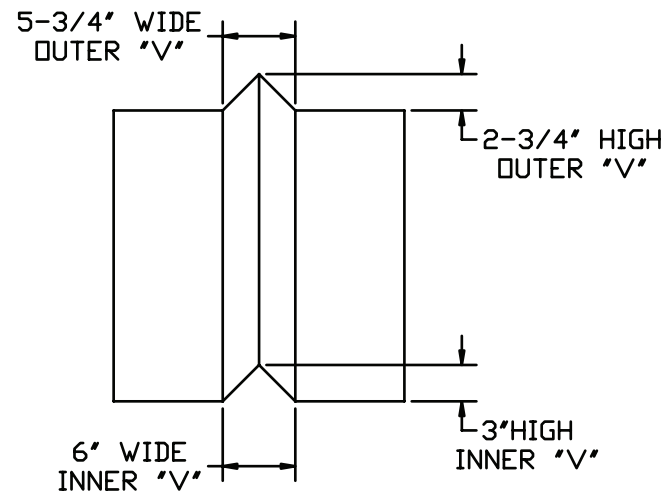
TOP VIEW



ISO VIEW



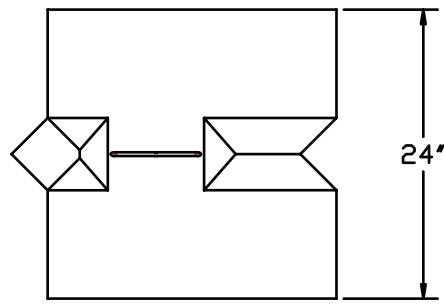
FRONT VIEW



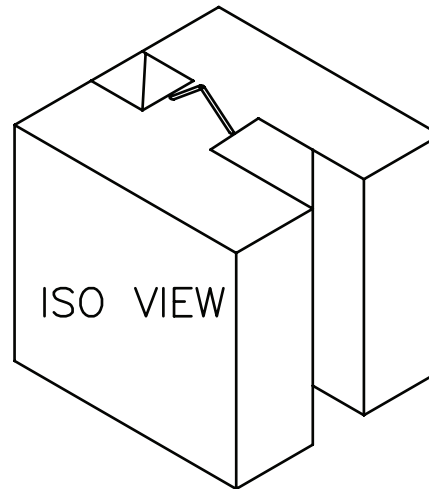
END VIEW

WEIGHT: 1,800 Lbs.
VOLUME: 12.00 Cft

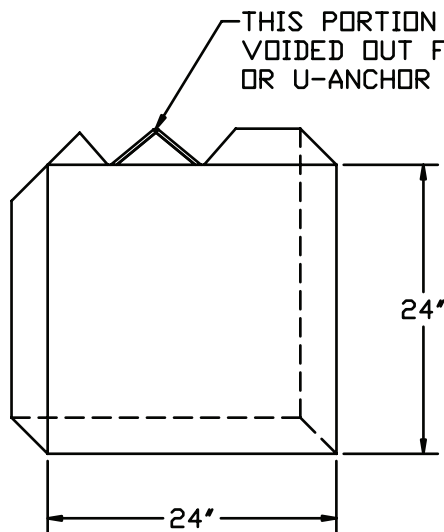
■ V-INTERLOCK 2' X 2' X 2' STRAIGHT



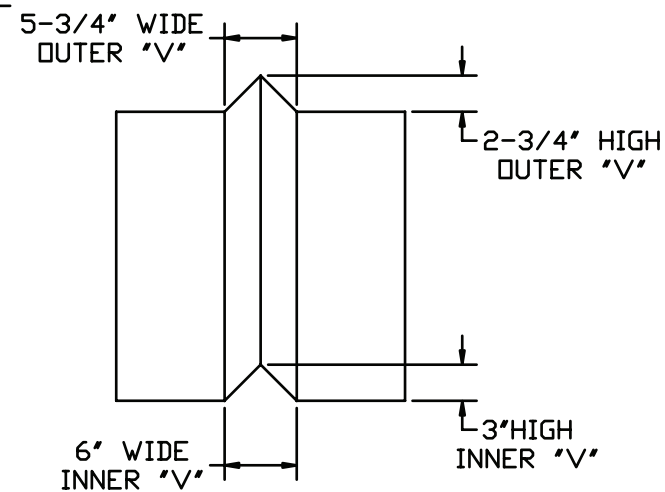
TOP VIEW



ISO VIEW



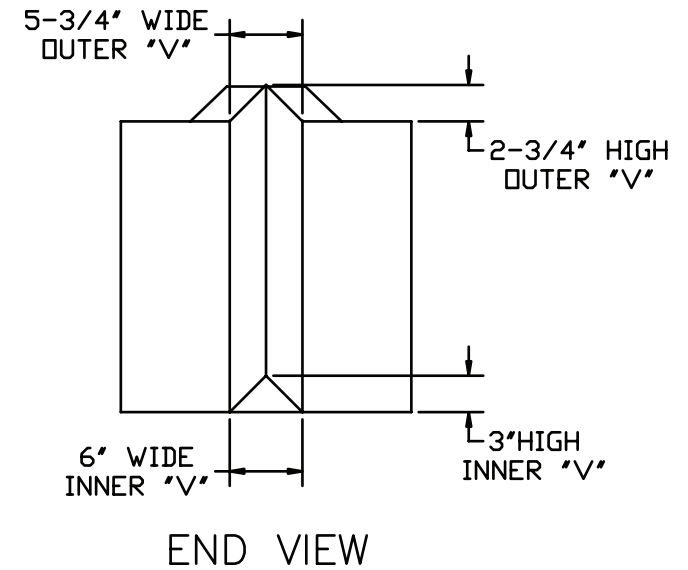
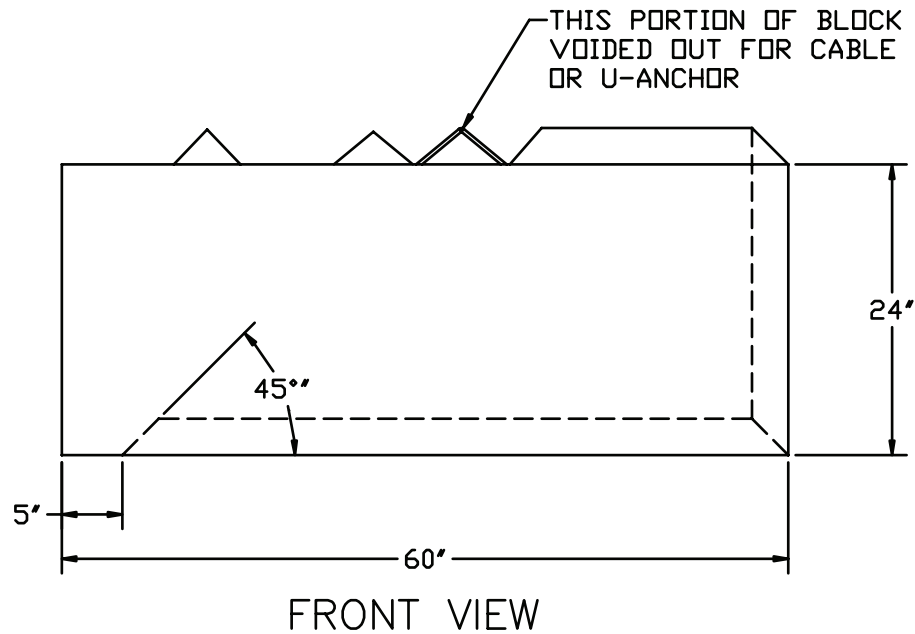
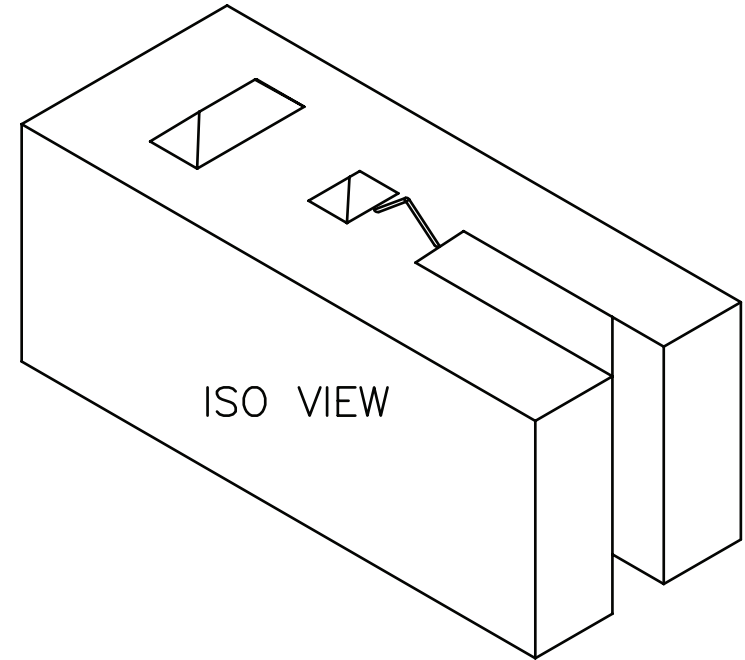
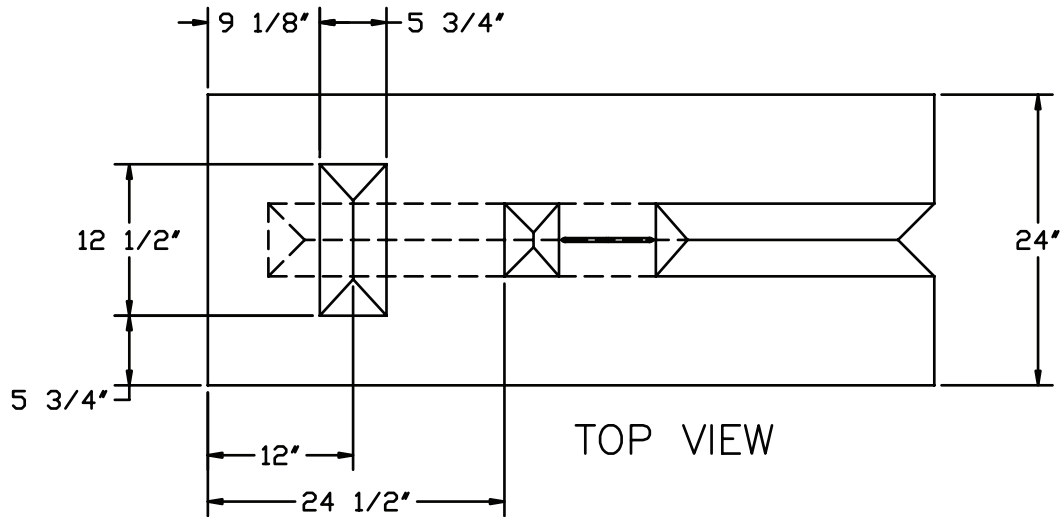
FRONT VIEW



END VIEW

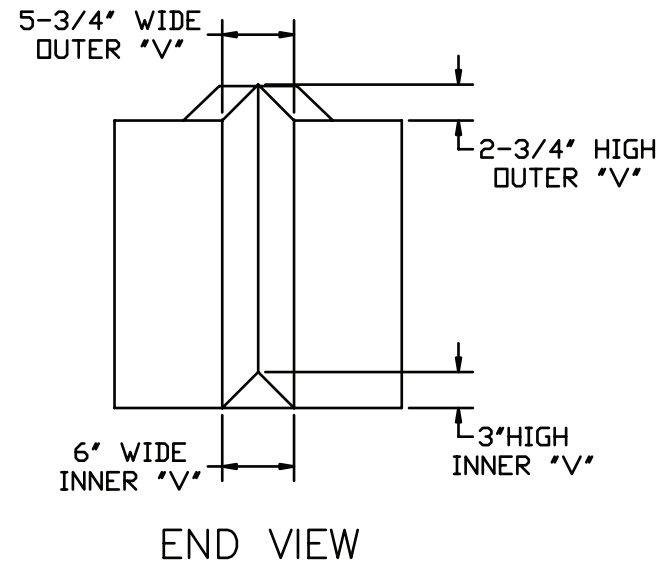
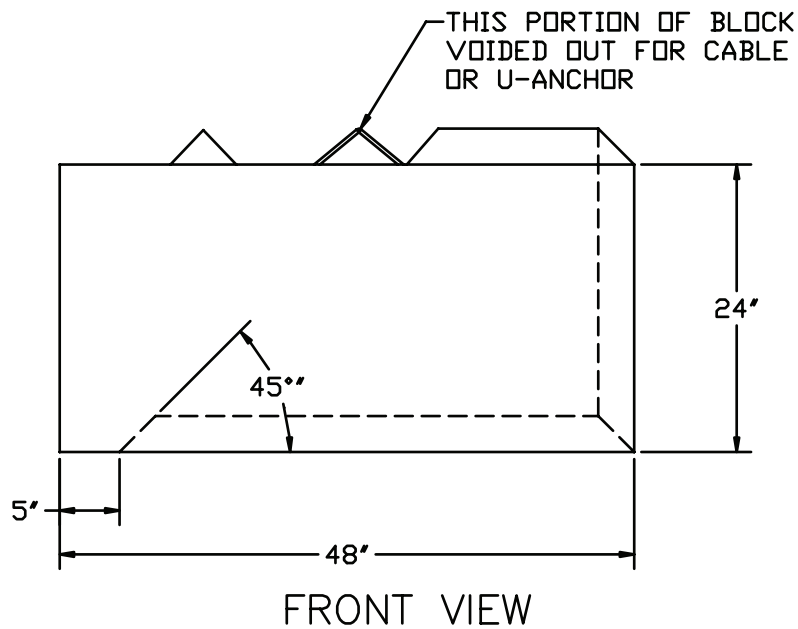
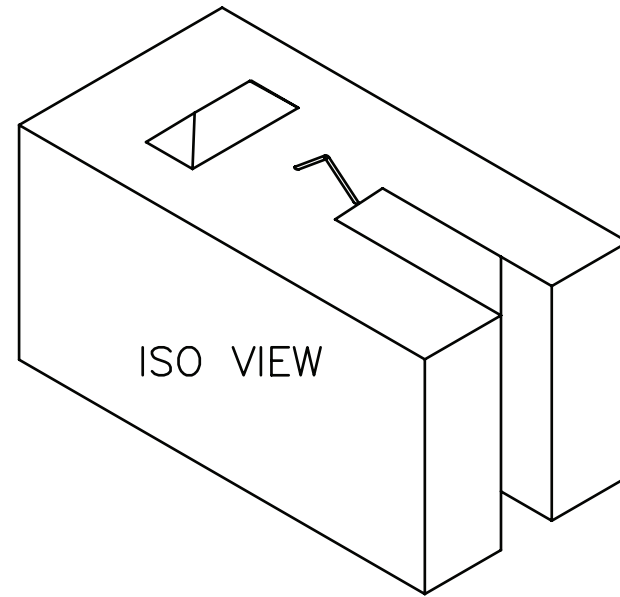
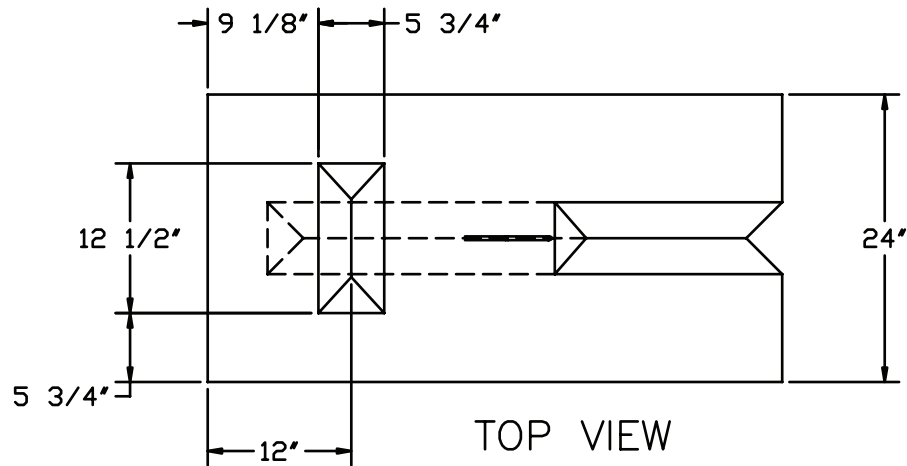
WEIGHT: 1,200 Lbs.
VOLUME: 8.00 Cft

V-INTERLOCK 2' X 2' X 5' CORNER



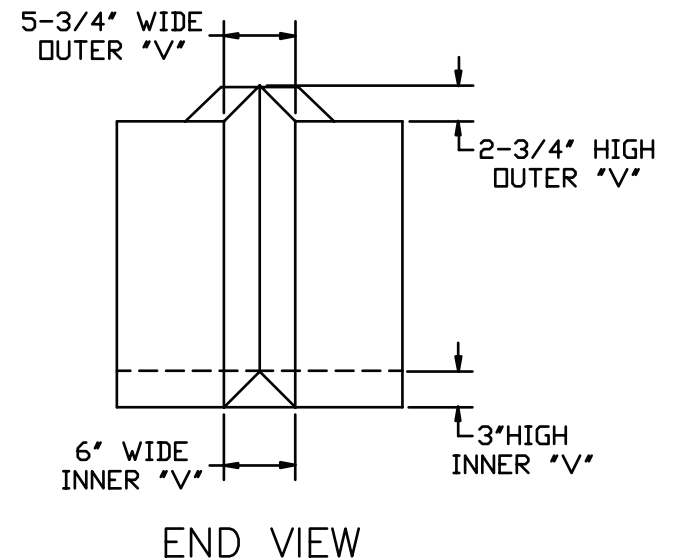
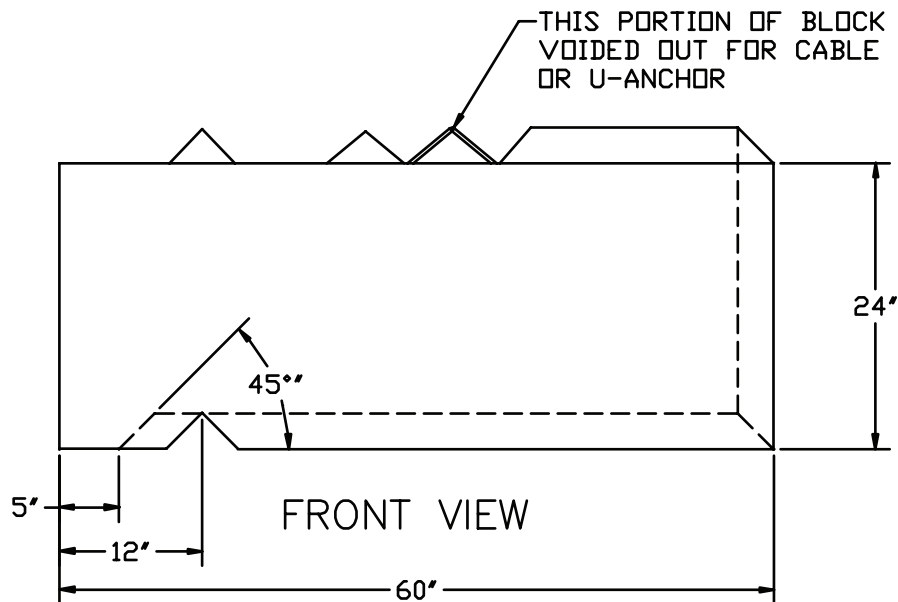
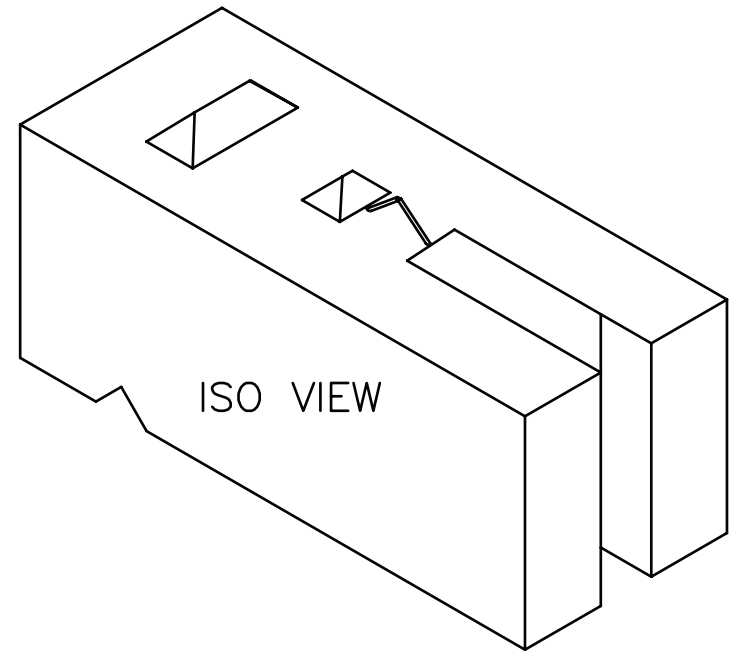
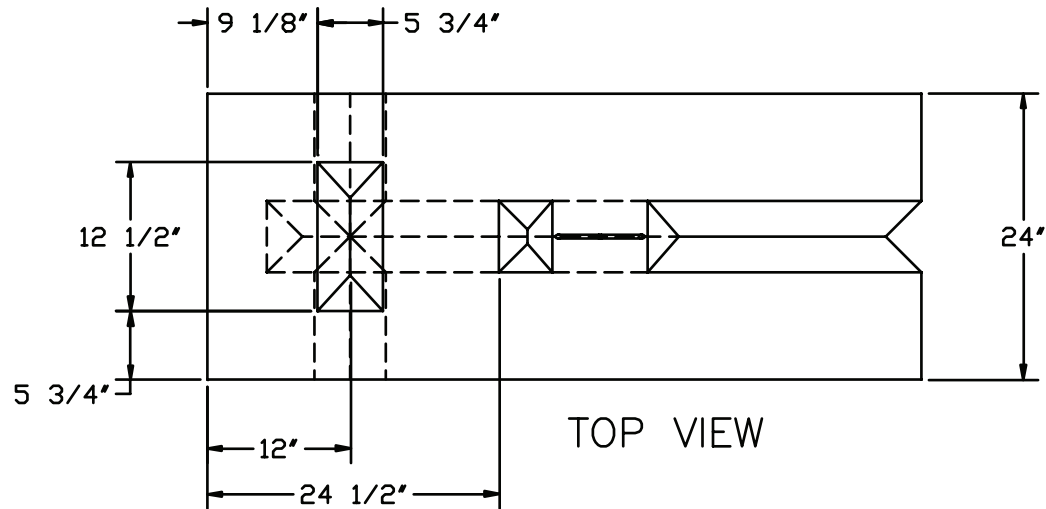
WEIGHT: 3,000 Lbs.
VOLUME: 20.00 Cft

V-INTERLOCK 2' X 2' X 4' CORNER



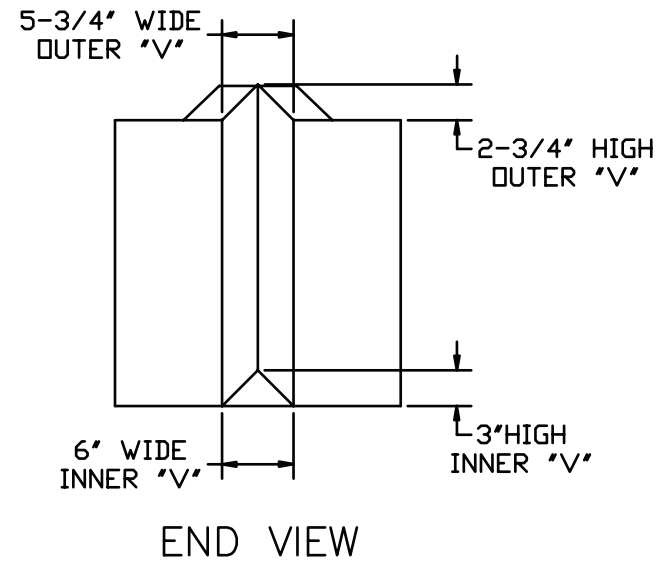
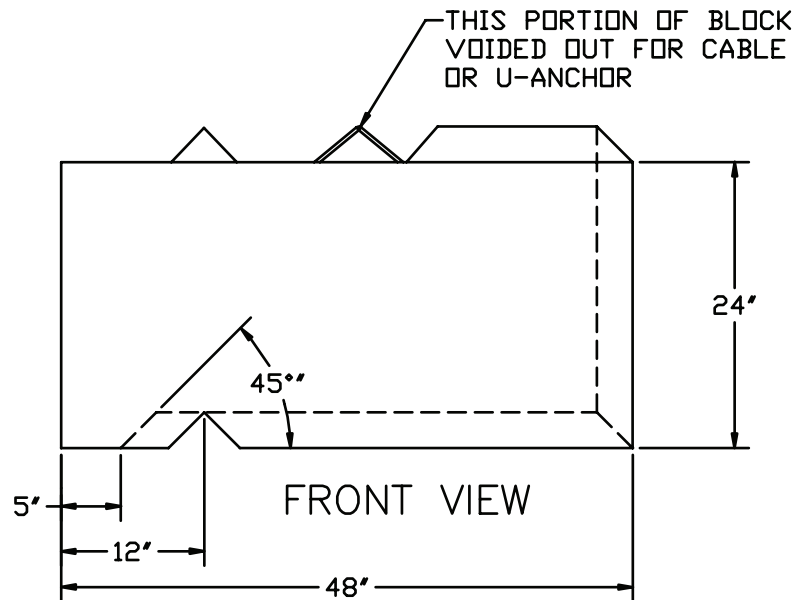
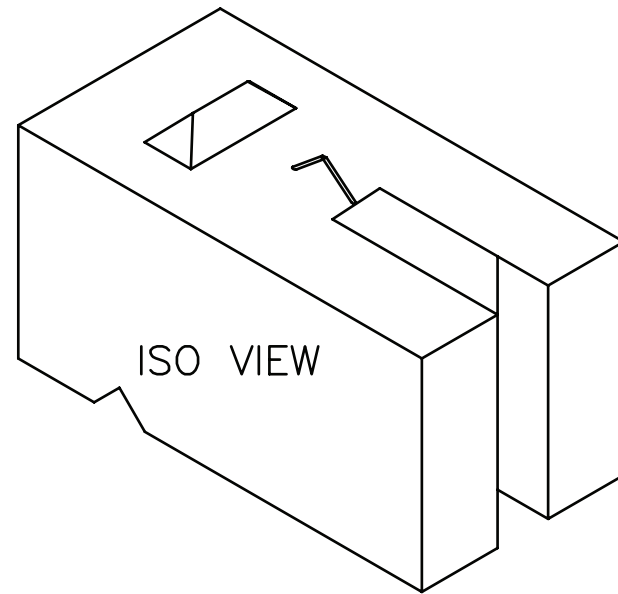
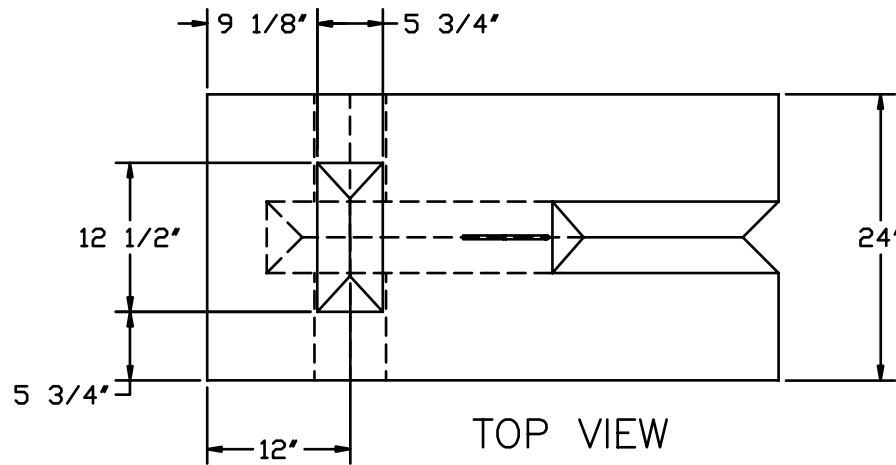
WEIGHT: 2,400 Lbs.
VOLUME: 16.00 Cft

V-INTERLOCK 2' X 2' X 5'-BLOCK



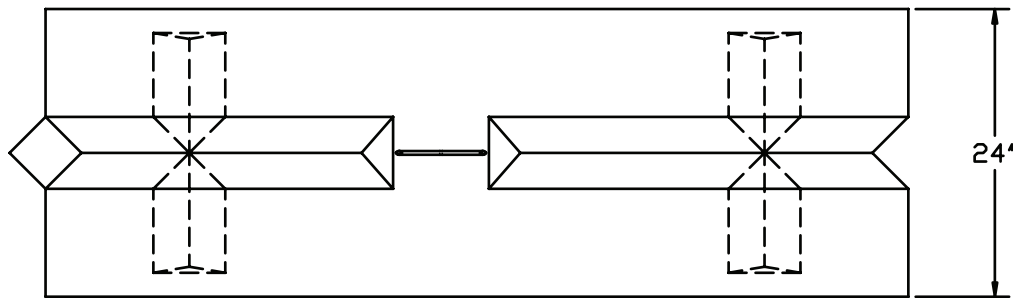
WEIGHT: 3,000 Lbs.
VOLUME: 20.00 Cft

V-INTERLOCK 2' X 2' X 4'-BLOCK

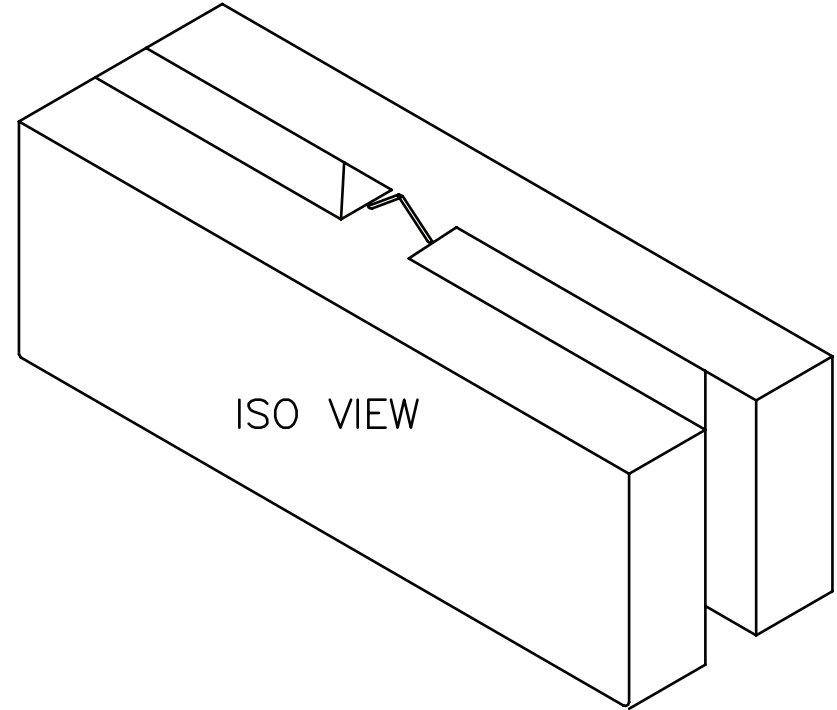


WEIGHT: 2,400 Lbs.
VOLUME: 16.00 Cft

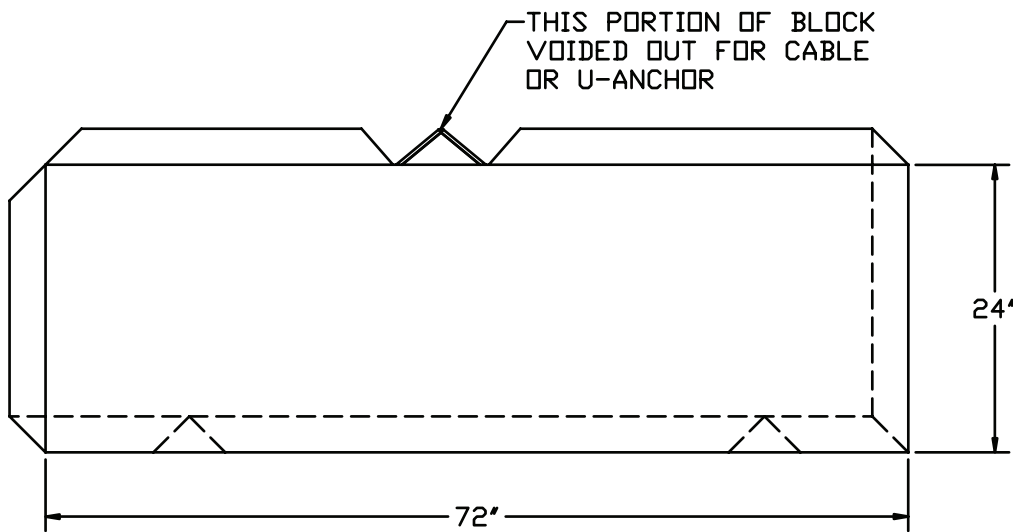
■ V-INTERLOCK 2' X 2' X 6' COMBINATION



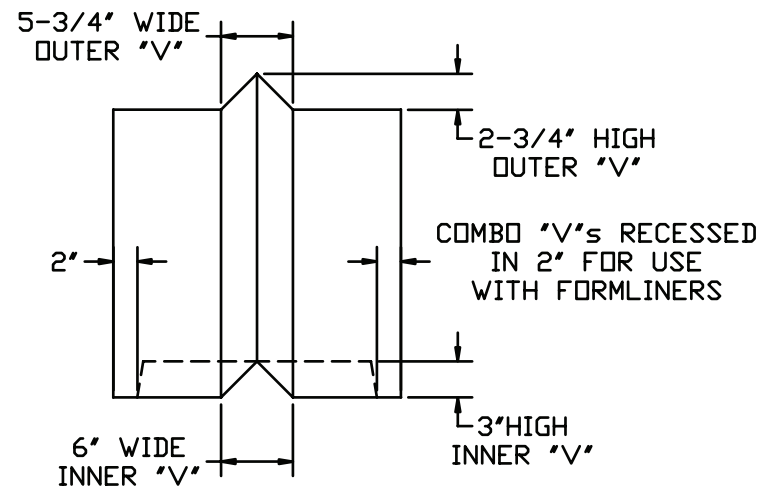
TOP VIEW



ISO VIEW



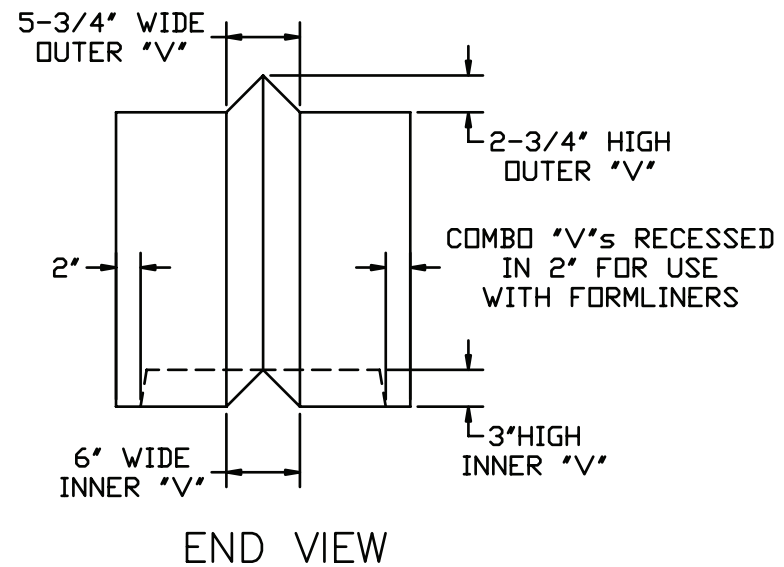
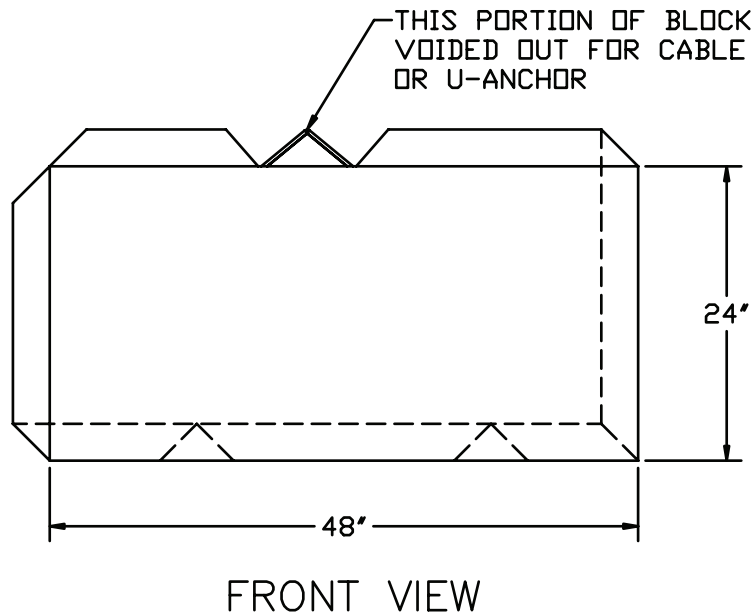
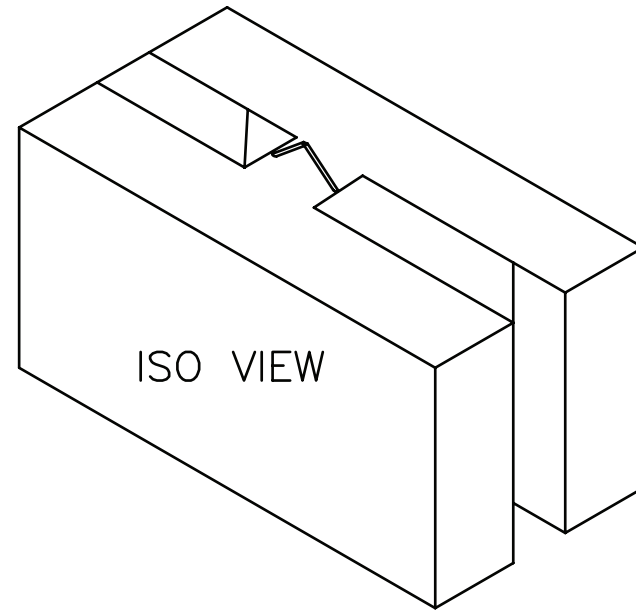
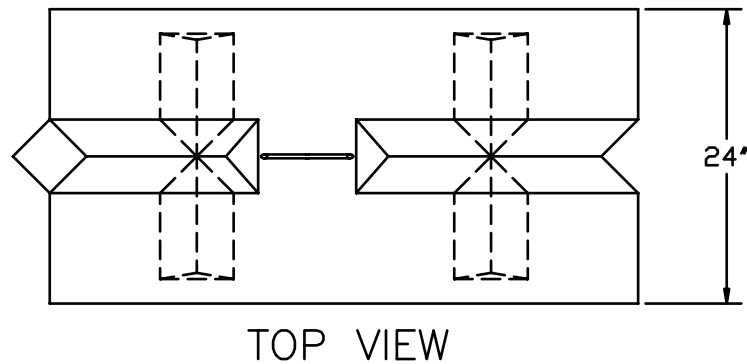
FRONT VIEW



END VIEW

WEIGHT: 3,600 Lbs.
VOLUME: 24.00 Cft

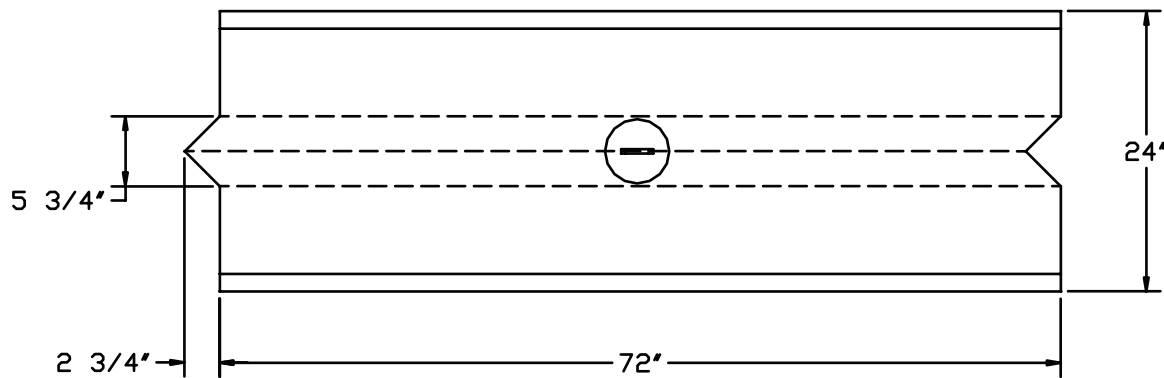
V-INTERLOCK 2' X 2' X 4' COMBINATION



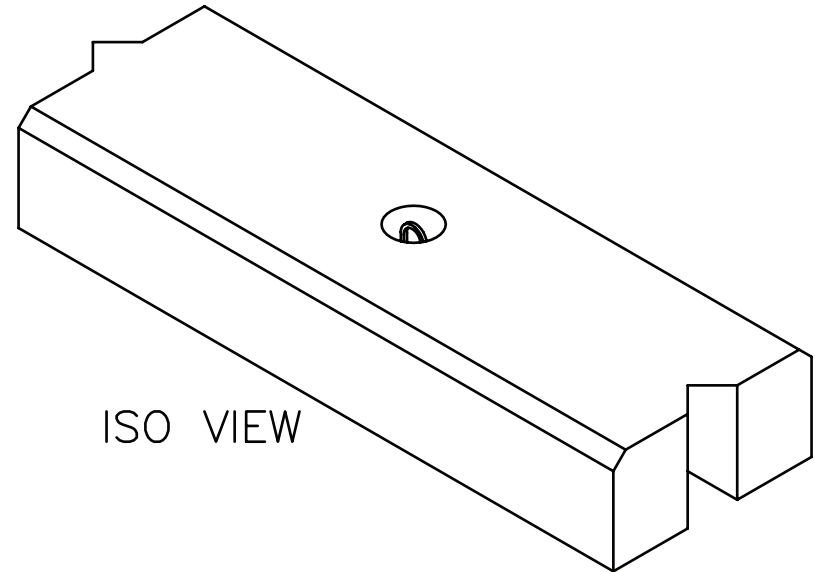
WEIGHT: 2,400 Lbs.
VOLUME: 16.00 Cft

V-INTERLOCK TOP CAP (INSERT)

TOP VIEW

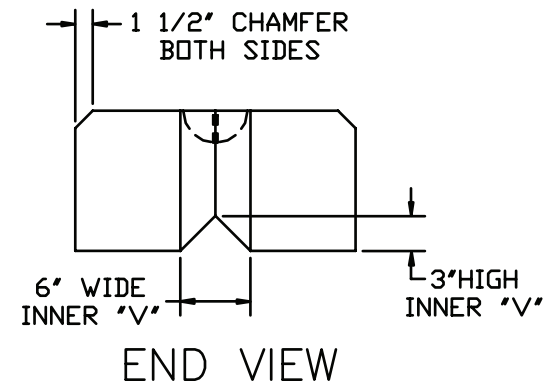
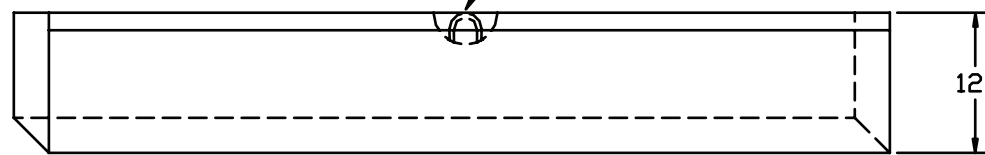


ISO VIEW



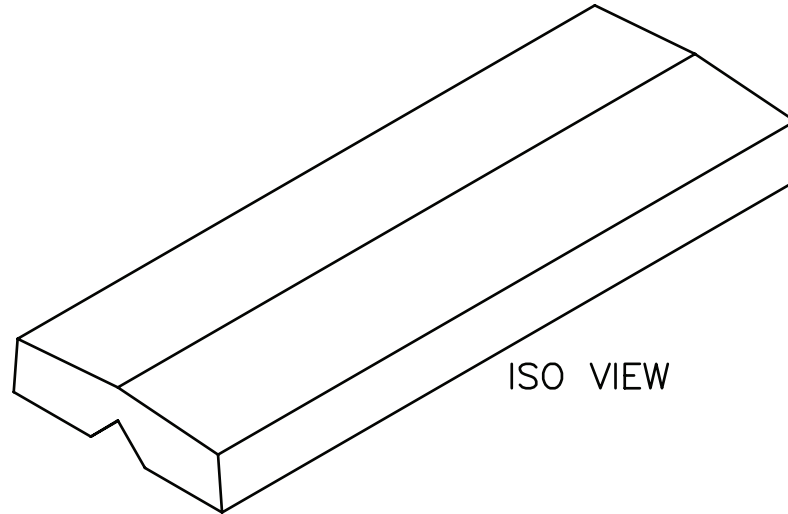
LIFT POINT

FRONT VIEW

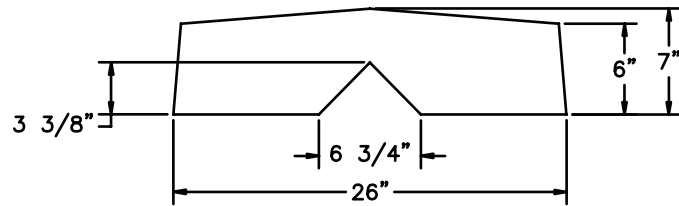


WEIGHT: 1,800 Lbs.
VOLUME: 12.00 Cft

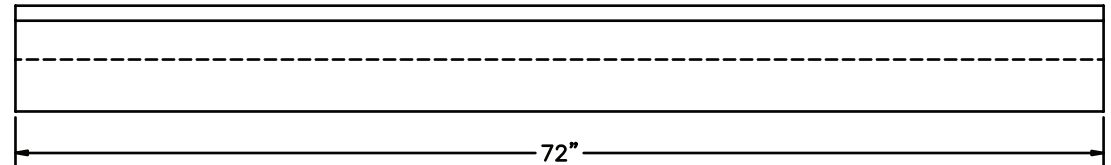
■ V-INTERLOCK TOP CAP (FORM)



ISO VIEW



END VIEW

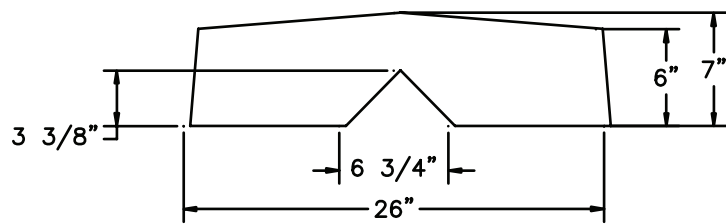
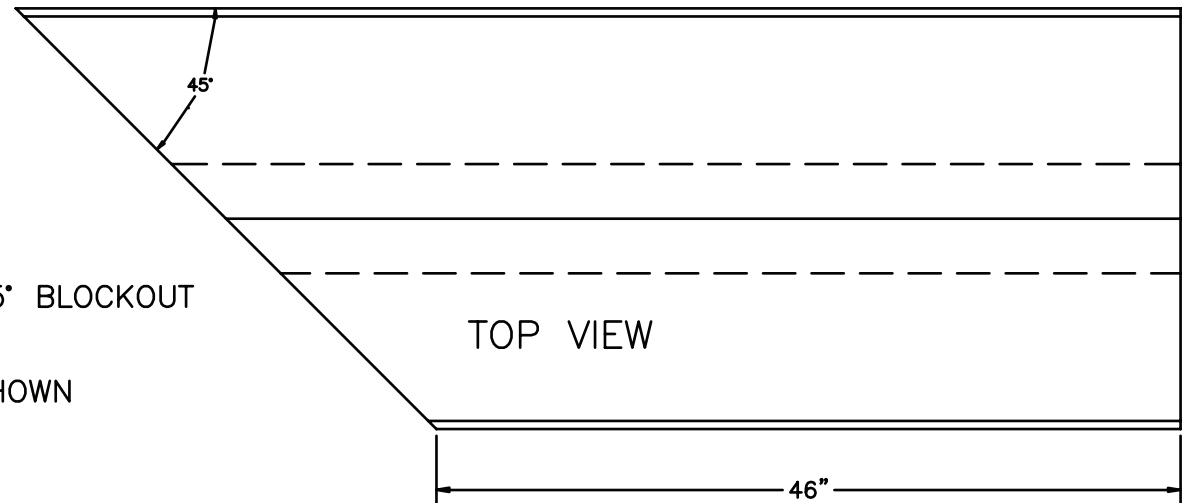


SIDE VIEW

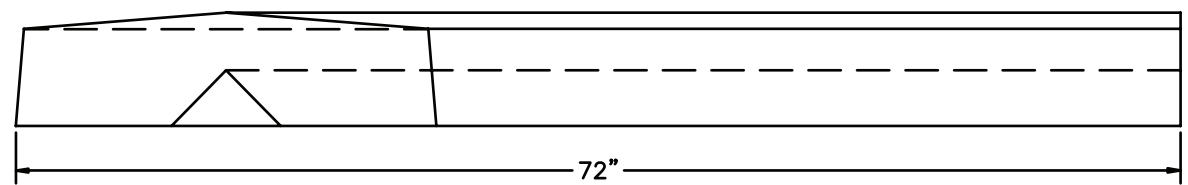
WEIGHT: 1,050 Lbs.
VOLUME: 7.00 Cft

■ V-INTERLOCK 45° TOP CAP BLOCKOUT (FORM)

6FOOT LONG TOP CAP WITH 45° BLOCKOUT
(RIGHT HAND) SHOWN
LEFT HAND IS OPPOSITE AS SHOWN



END VIEW



SIDE VIEW

WEIGHT: 900 Lbs.
VOLUME: 6.00 Cft