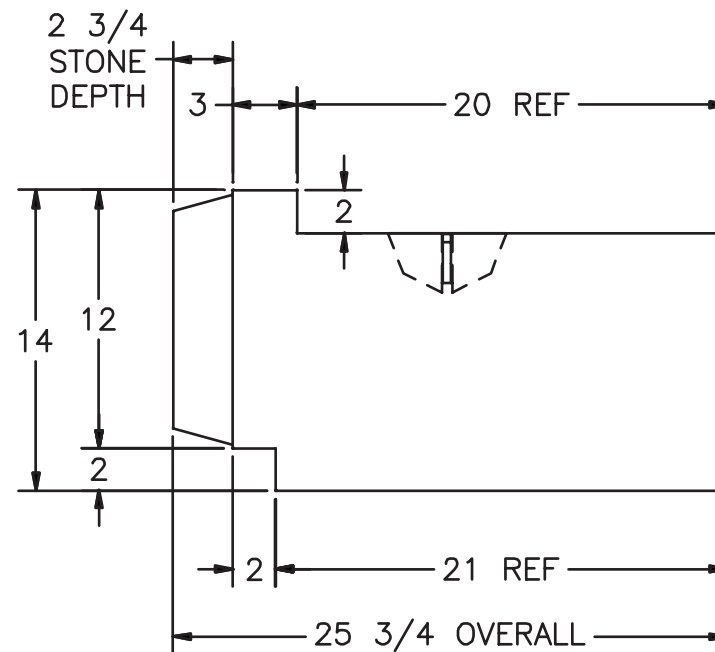
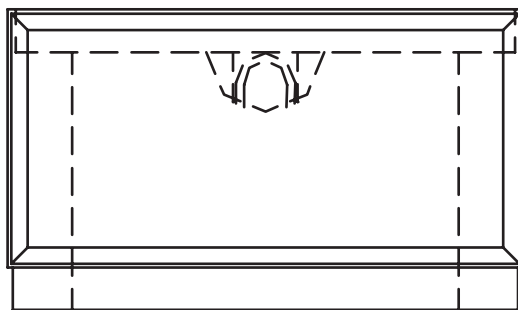
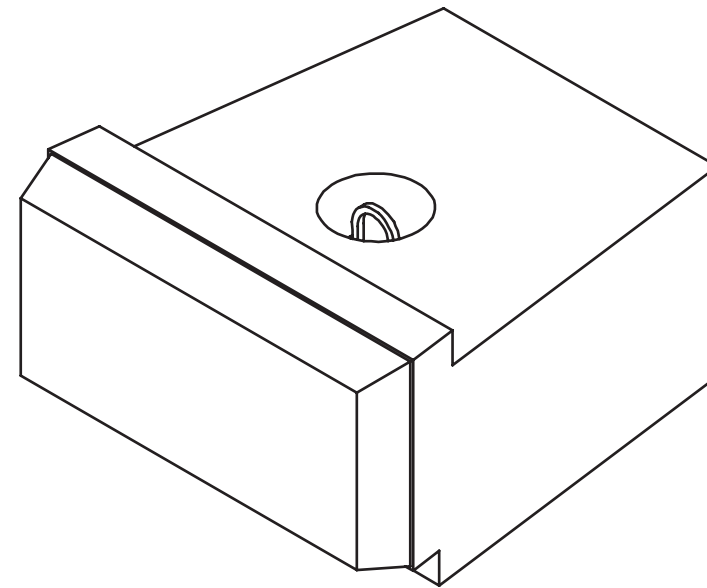
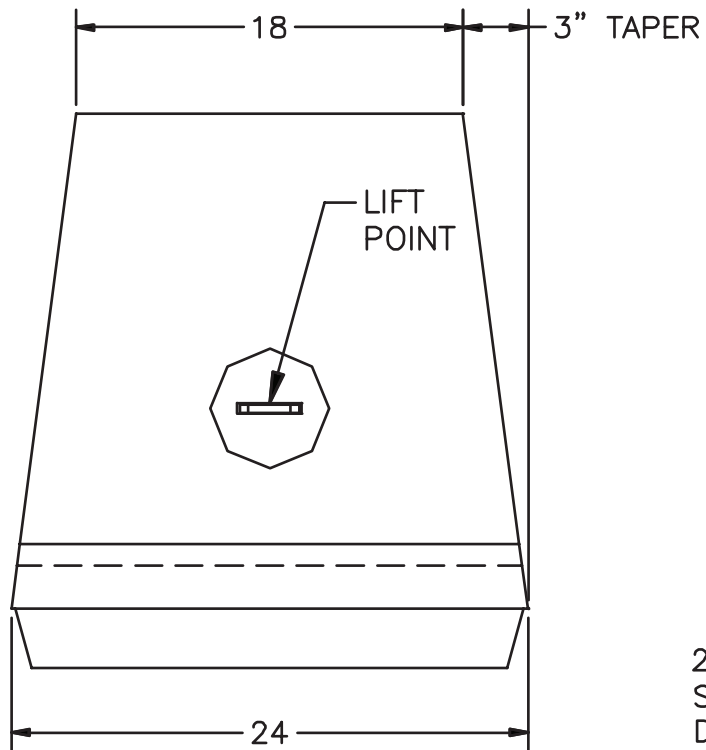


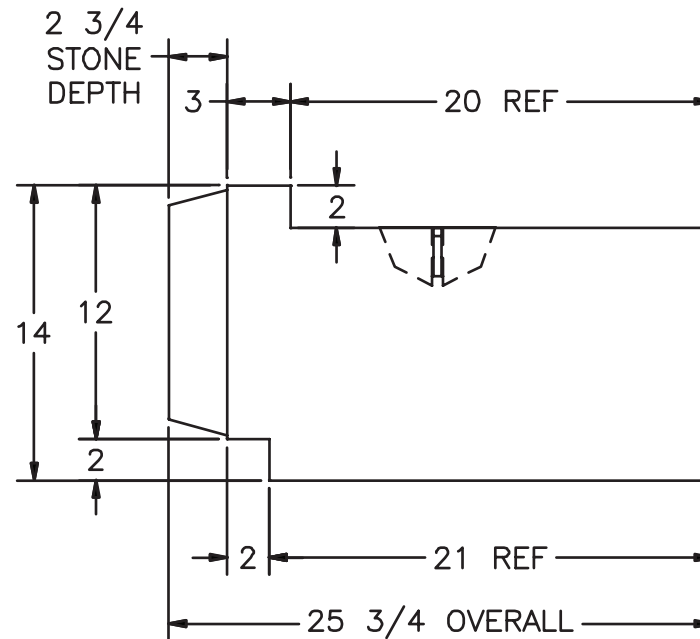
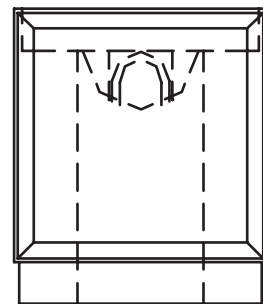
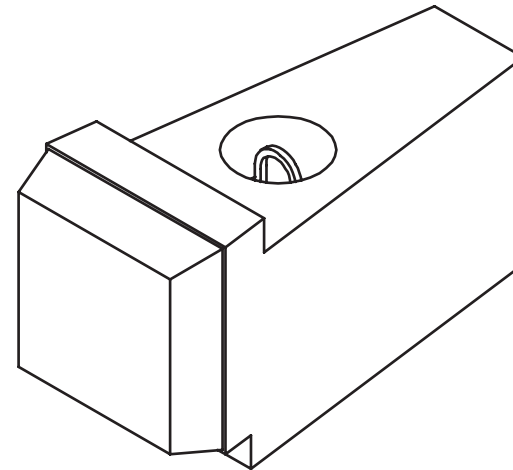
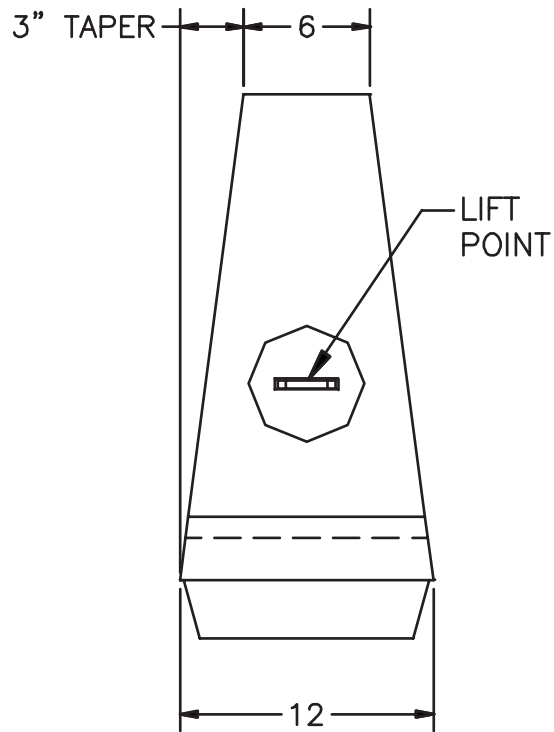
MID-SIZE LANDSCAPE
SPECIFICATION
SHEETS

MID-SIZE FULL BLOCK



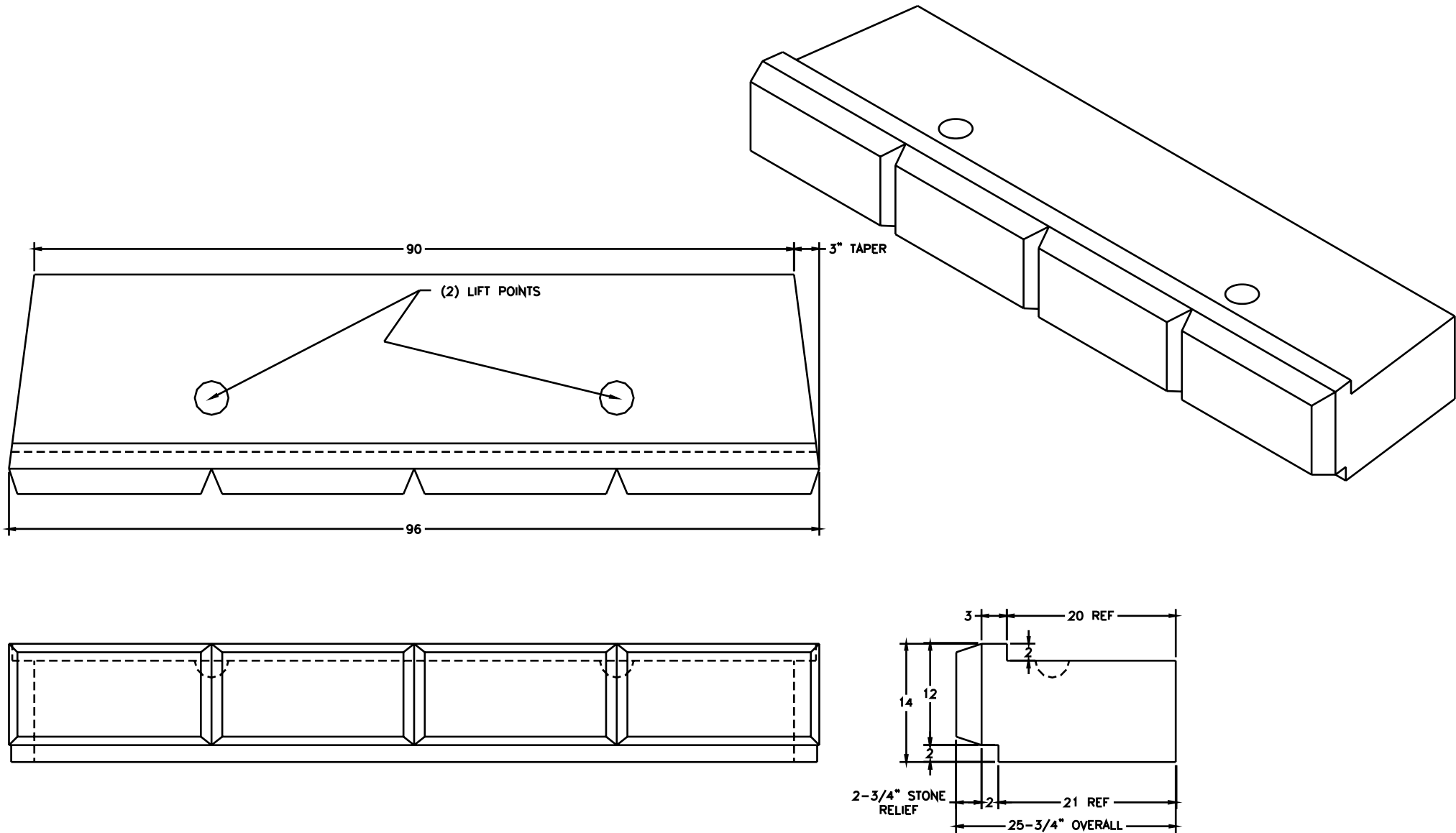
WEIGHT: 560 Lbs.
VOLUME: 3.75 Cft

■ MID-SIZE HALF BLOCK



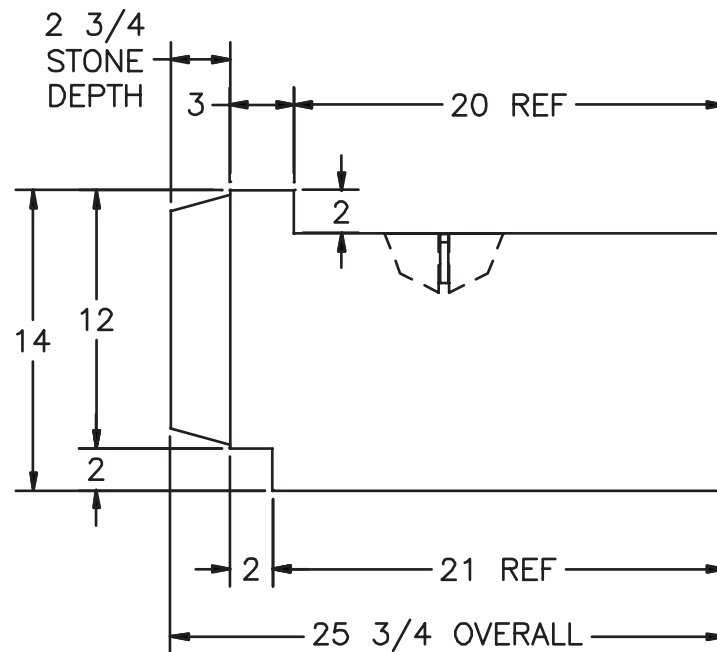
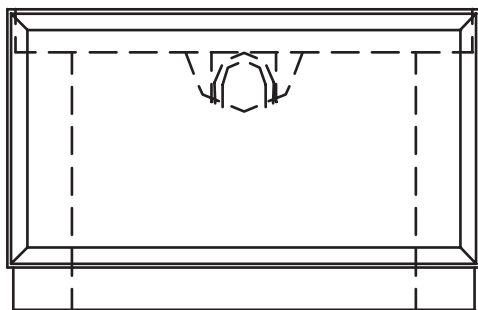
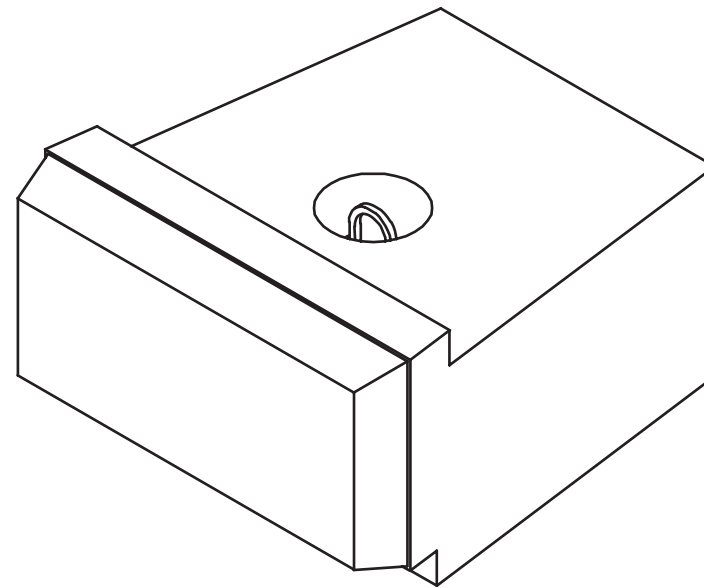
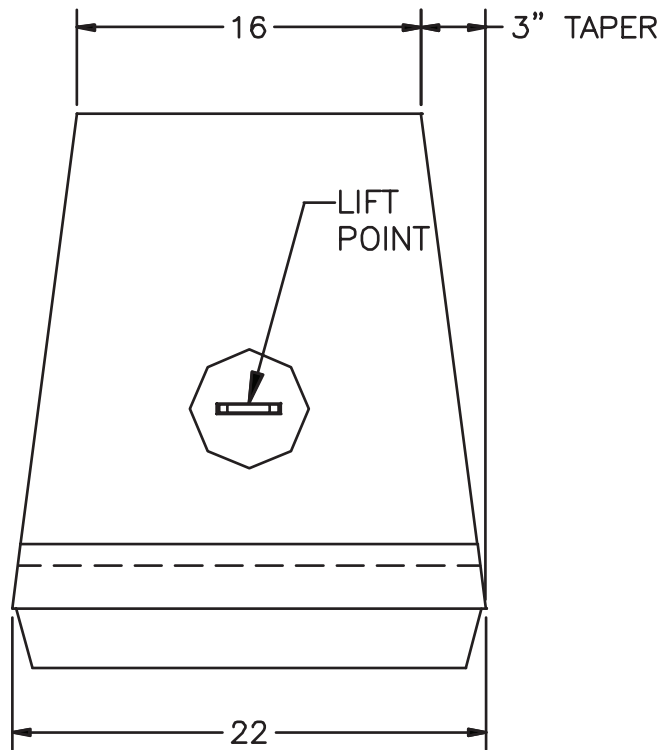
WEIGHT: 285 Lbs.
VOLUME: 1.9 Cft

■ MID-SIZE 4-ACROSS BLOCK



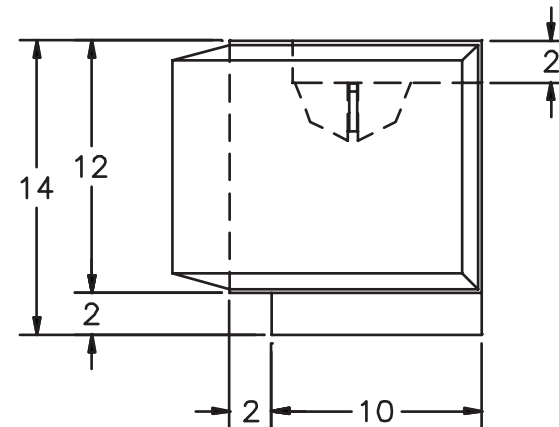
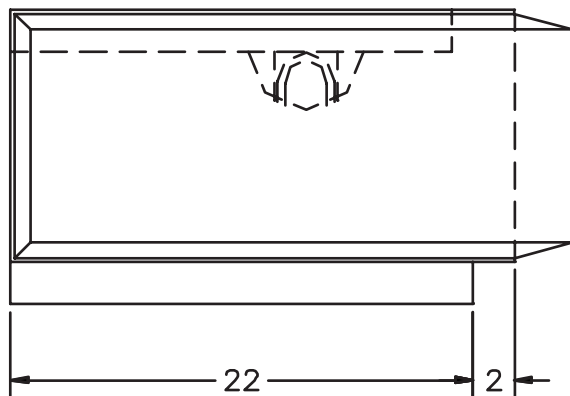
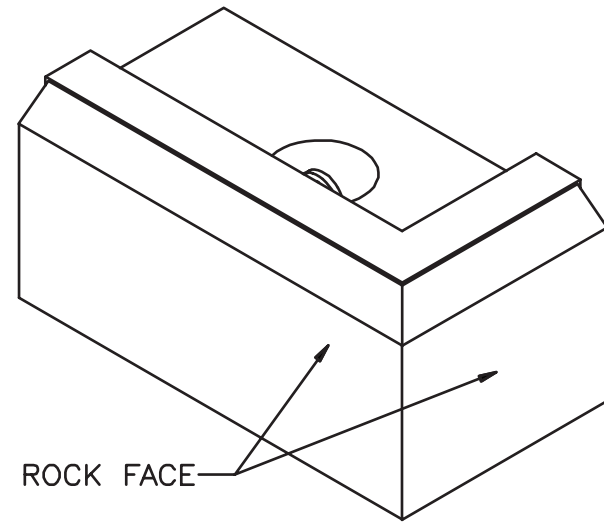
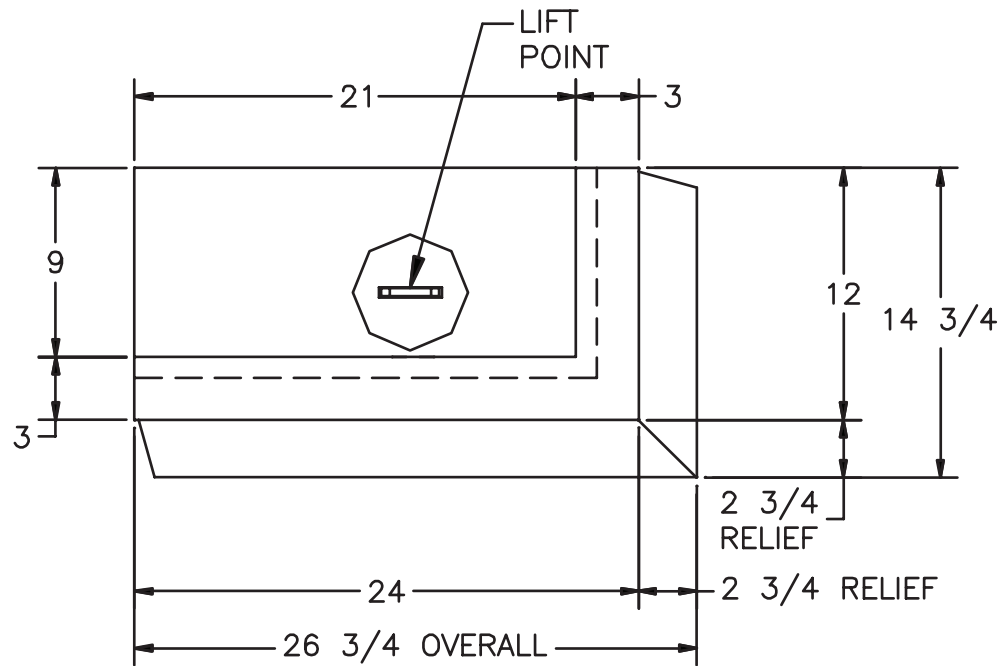
WEIGHT: 2,500 Lbs.
VOLUME: 16.67 Cft

MID-SIZE KEY BLOCK



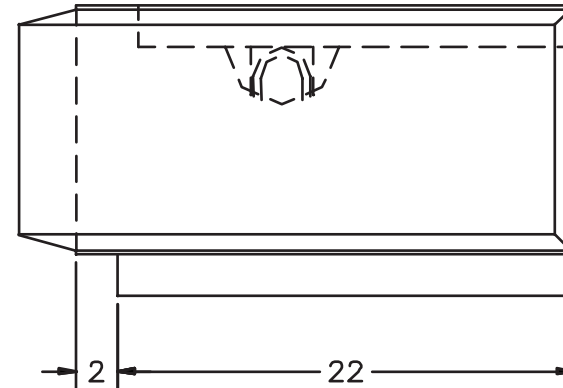
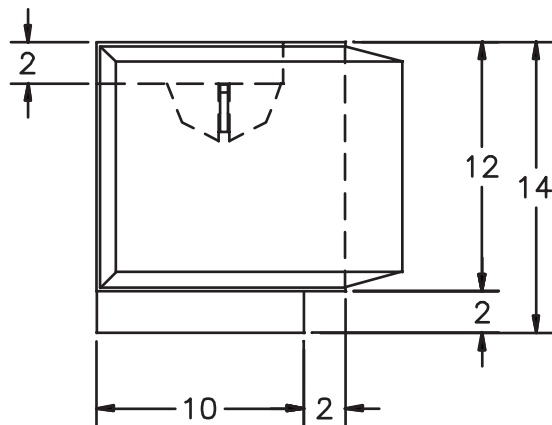
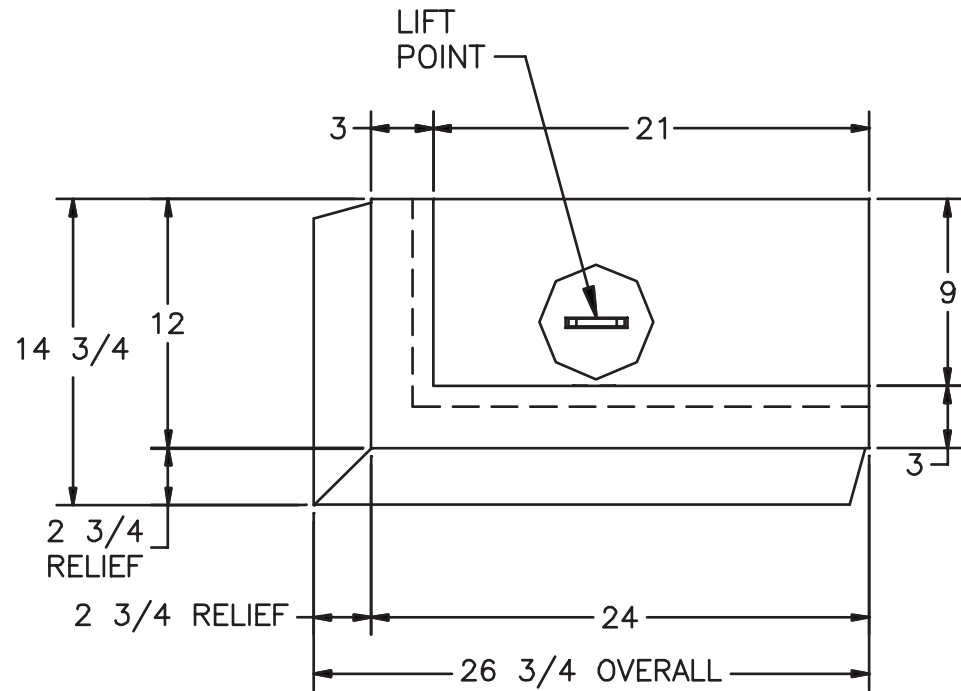
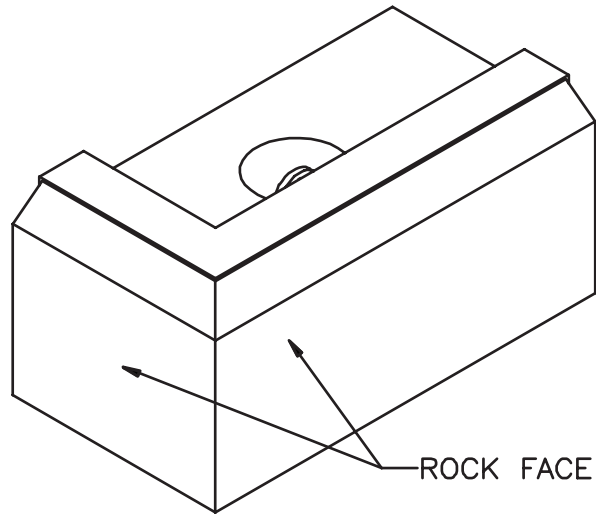
WEIGHT: 513 Lbs.
VOLUME: 3.42 Cft

■ MID-SIZE CORNER BLOCK (RIGHT)



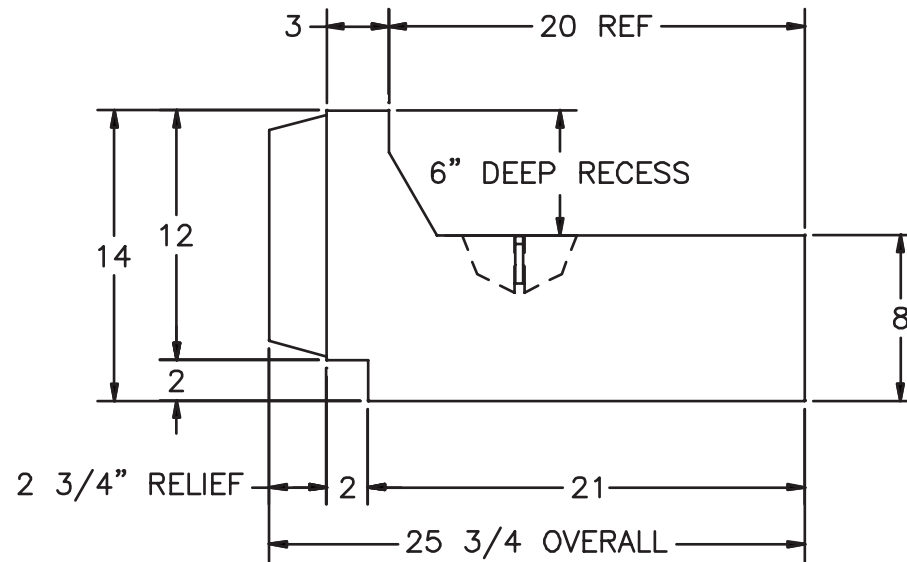
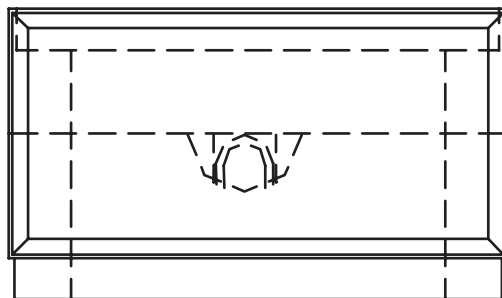
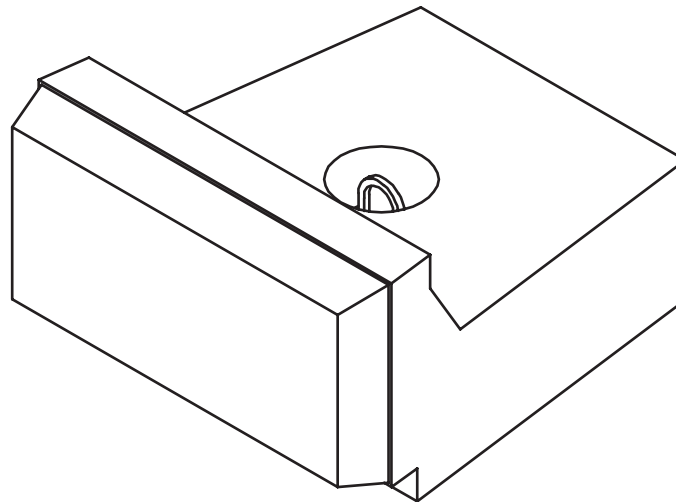
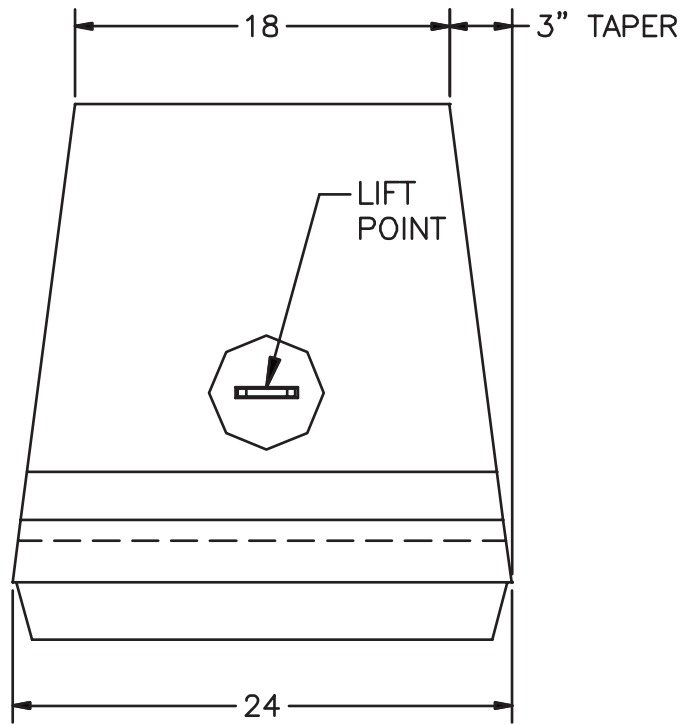
WEIGHT: 405 Lbs.
VOLUME: 2.70 Cft

■ MID-SIZE CORNER BLOCK (LEFT)



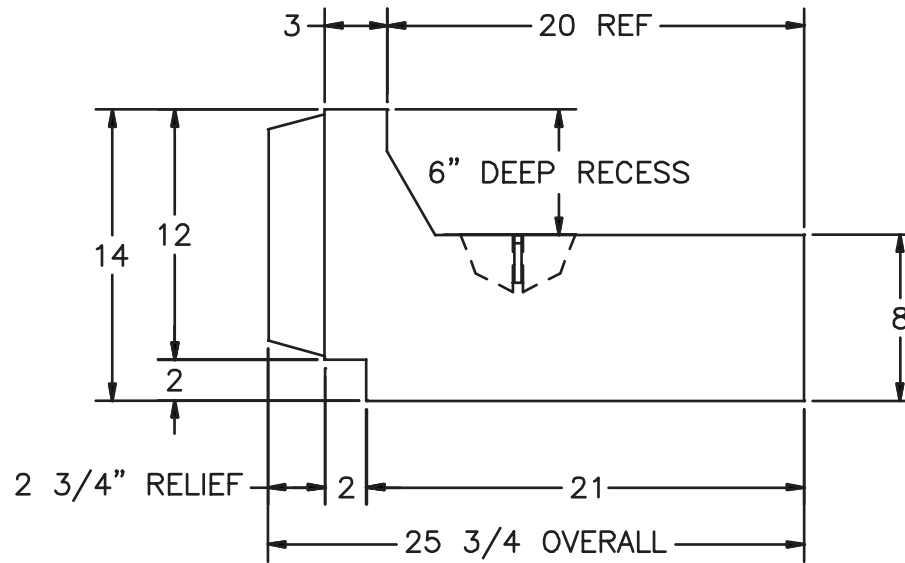
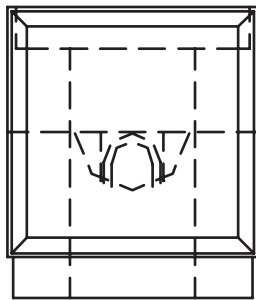
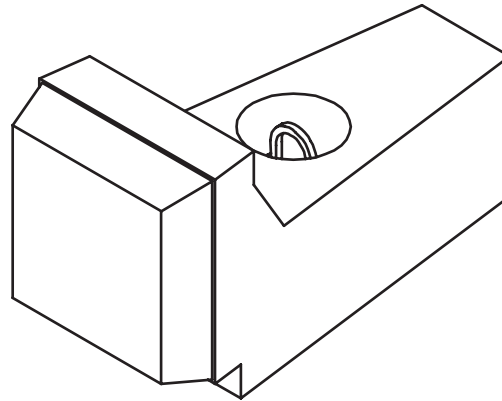
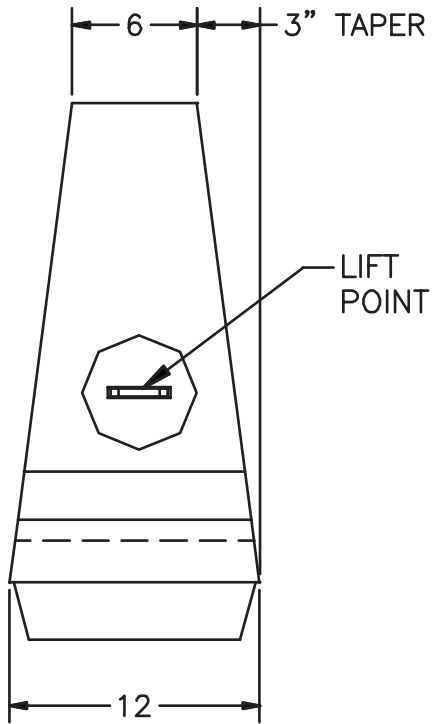
WEIGHT: 405 Lbs.
VOLUME: 2.70 Cft

MID-SIZE FULL RECESS BLOCK



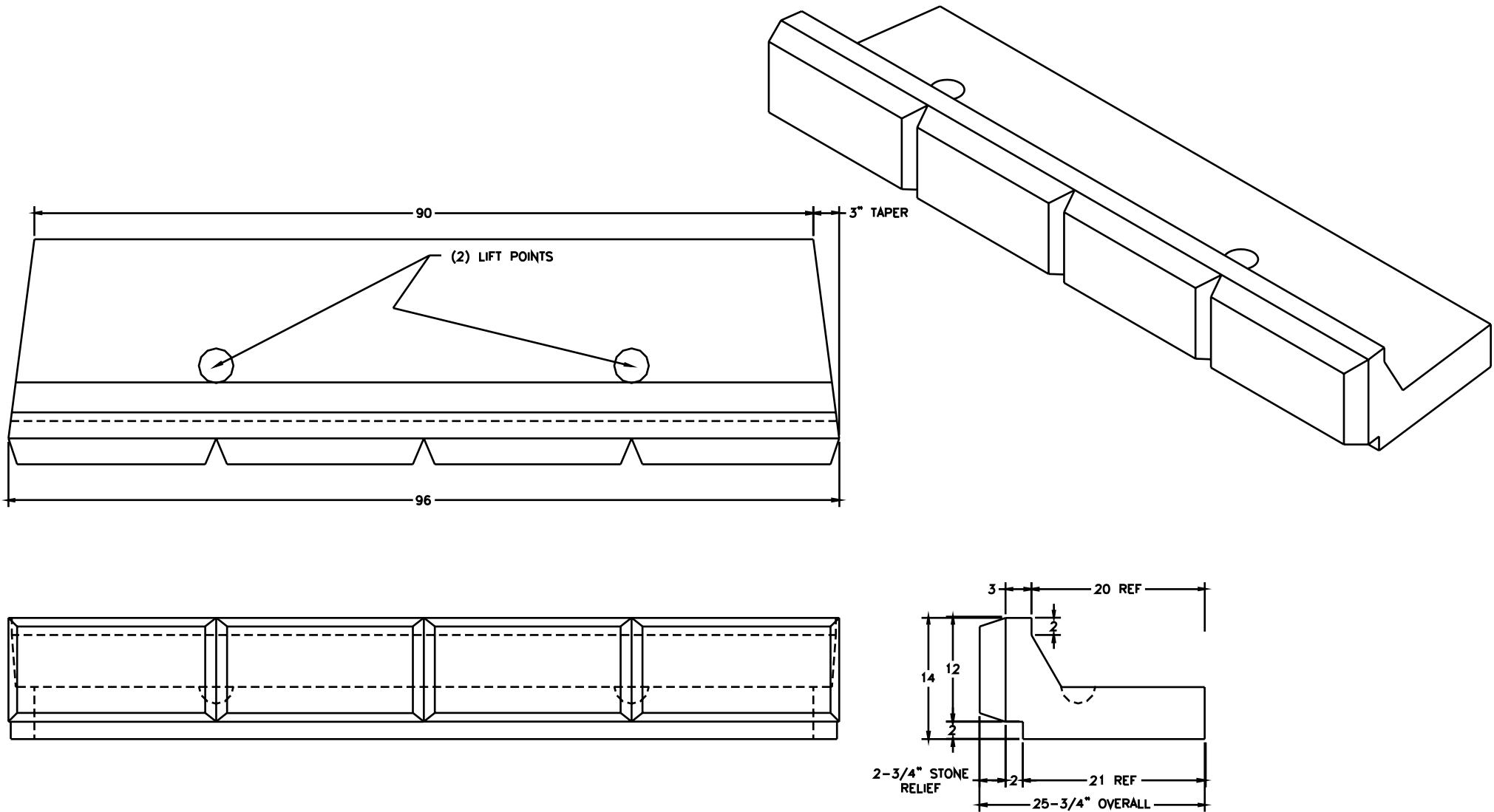
WEIGHT: 425 Lbs.
VOLUME: 2.80 Cft

MID-SIZE HALF RECESS BLOCK



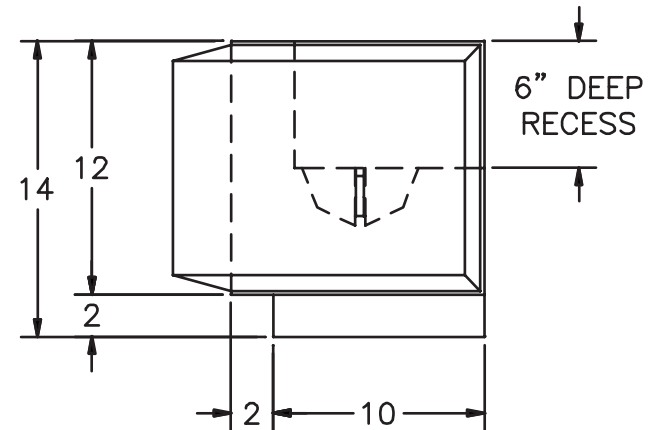
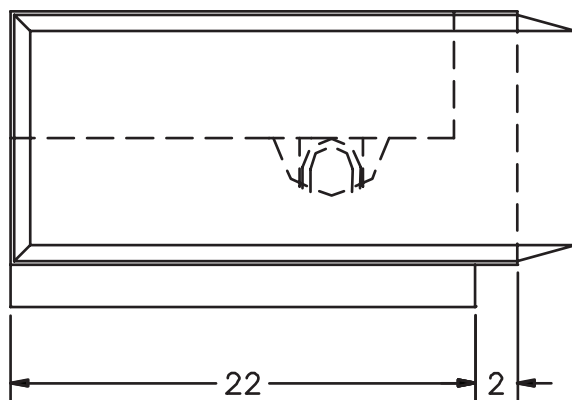
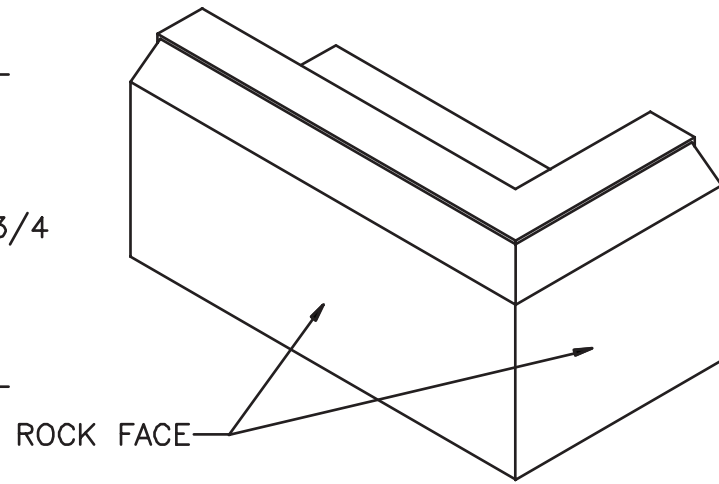
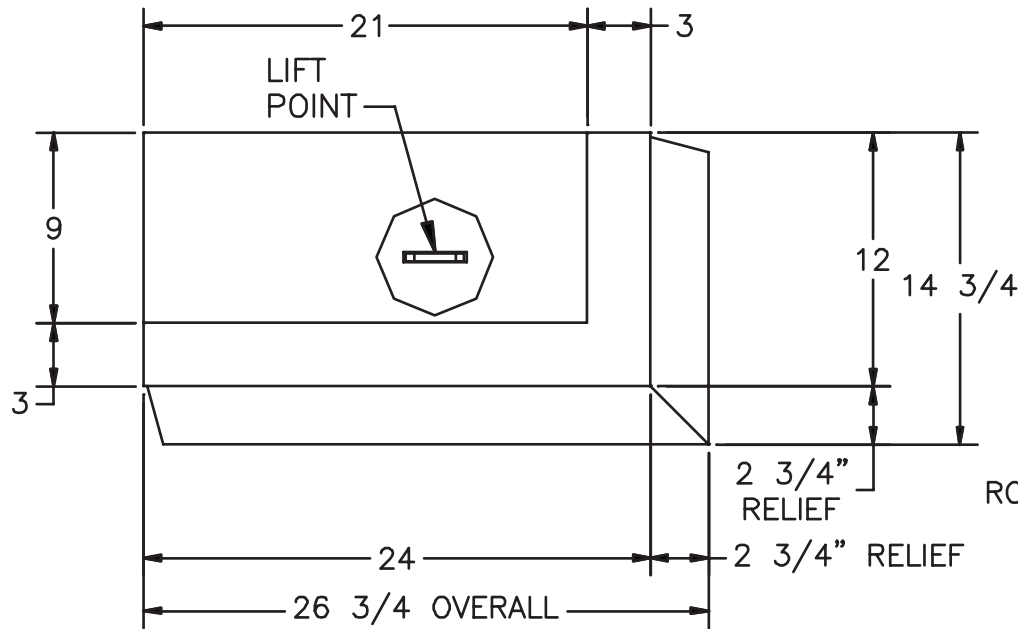
WEIGHT: 190 Lbs.
VOLUME: 1.27 Cft

MID-SIZE 4-ACROSS RECESS BLOCK



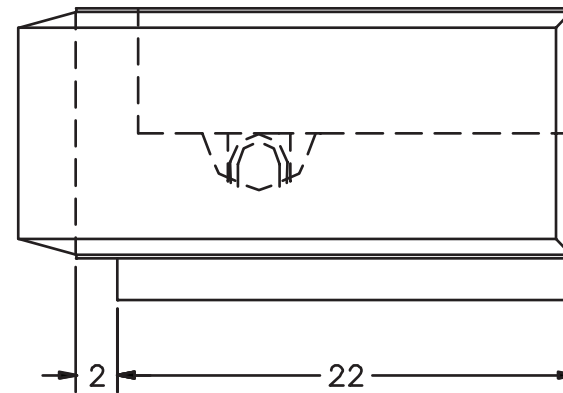
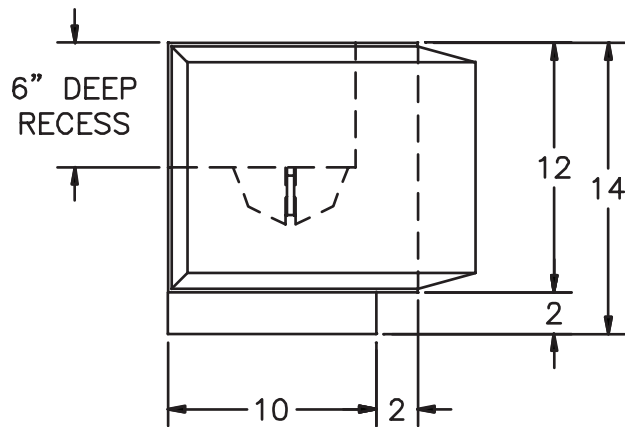
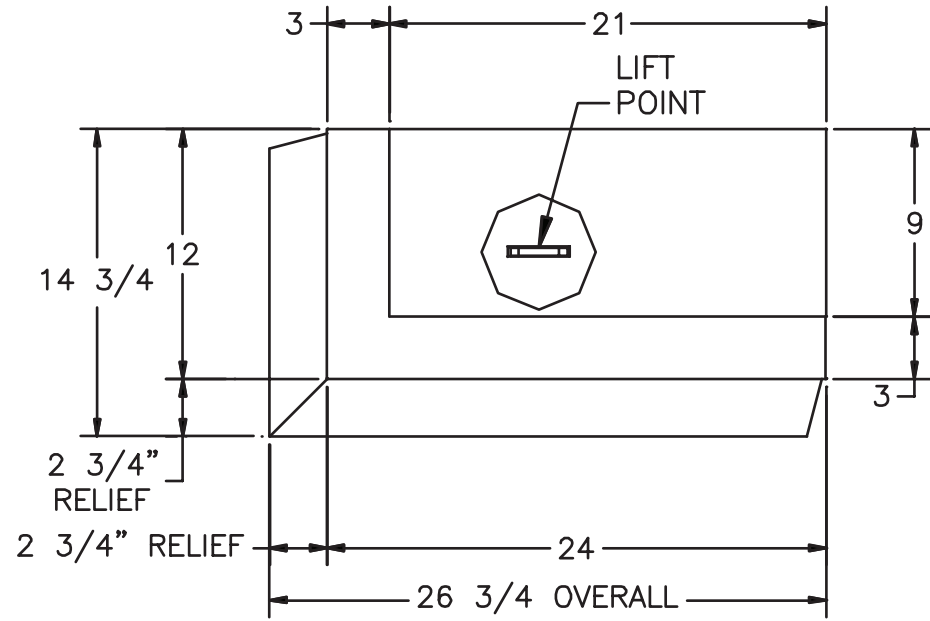
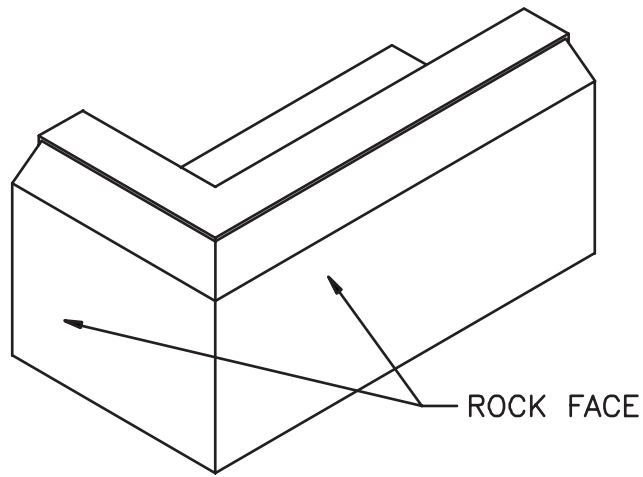
WEIGHT: 1,615 Lbs.
VOLUME: 10.75 Cft

■ MID-SIZE CORNER RECESS BLOCK (RIGHT)



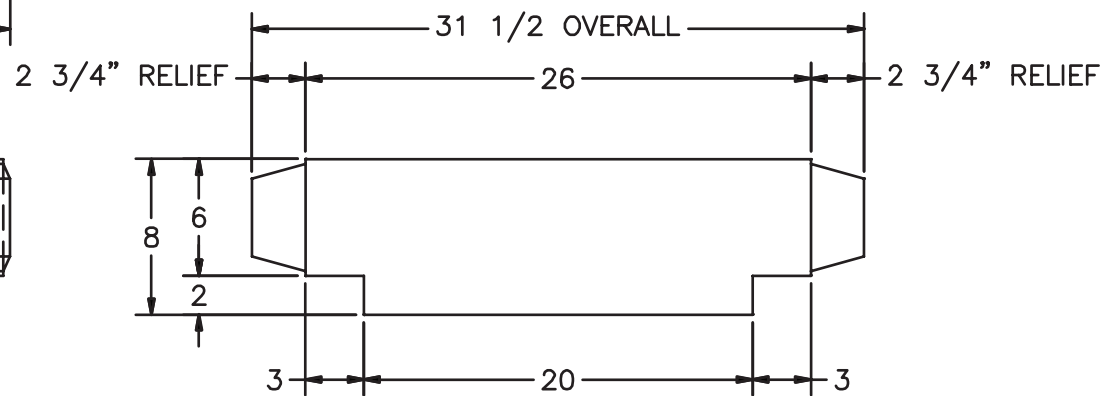
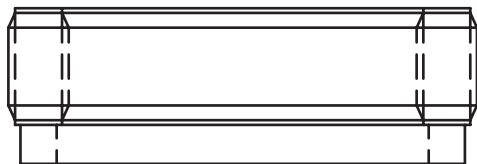
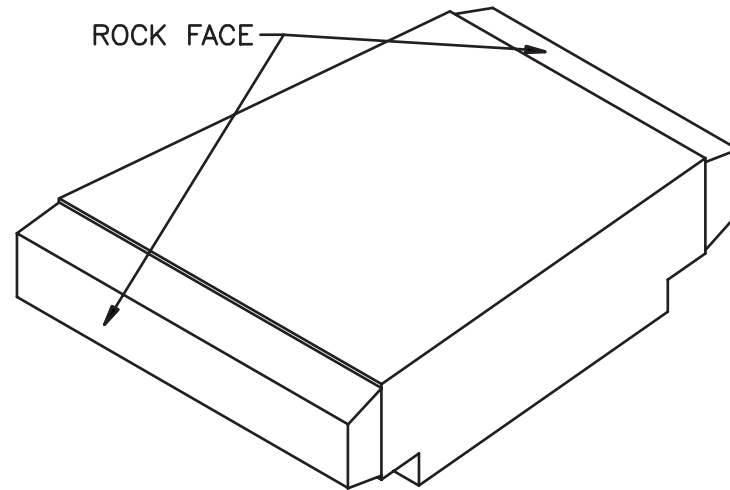
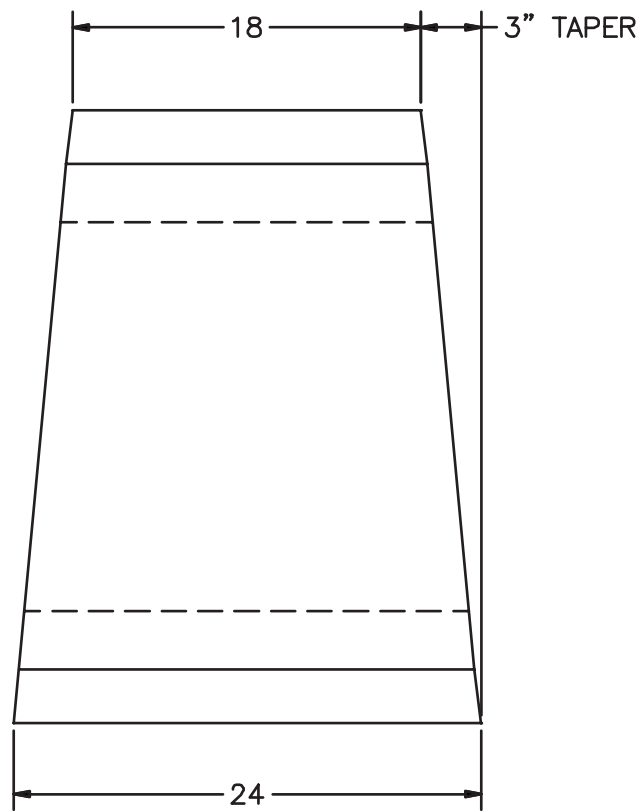
WEIGHT: 345 Lbs.
VOLUME: 2.30 Cft

■ MID-SIZE CORNER RECESS BLOCK (LEFT)



WEIGHT: 345 Lbs.
VOLUME: 2.30 Cft

MID-SIZE TOP CAP



WEIGHT: 405 Lbs.
VOLUME: 2.70 Cft